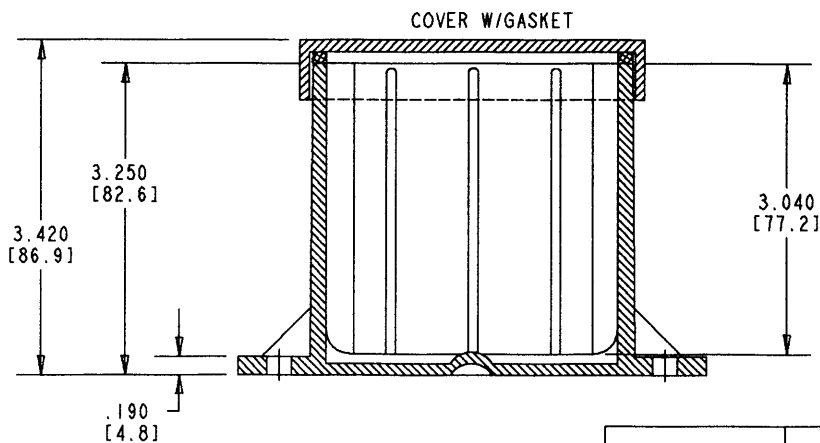
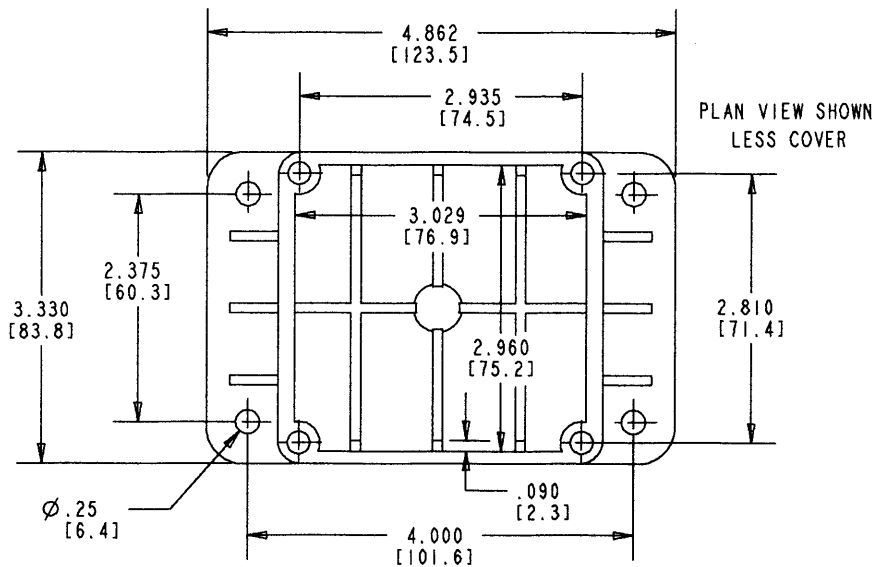
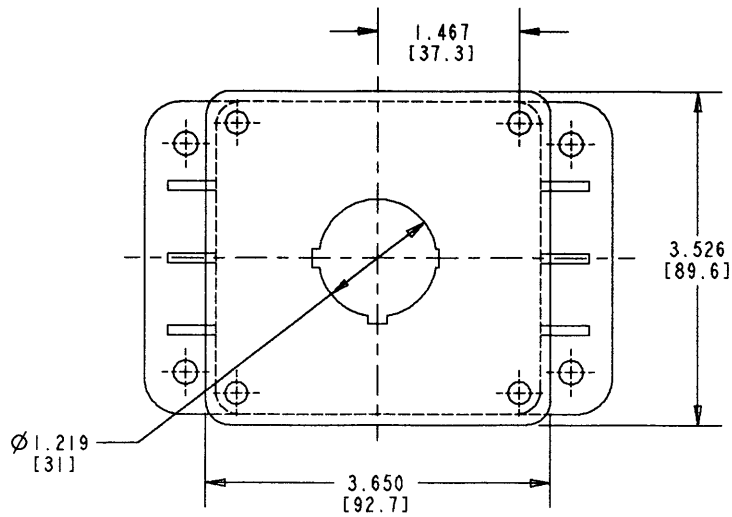


This information provided by:



Gross Automation
www.grossautomation.com

Call Toll Free:
800-349-5827



PART NO.	DESCRIPTION
CP100N	ONE BUTTON
CP100NB	BLANK COVER

DIMENSIONS ARE IN INCHES/MILLIMETERS

TITLE PUSH BUTTON ENCLOSURE

LAMSON & SESSIONS

ALL DRAWINGS ARE THE PROPERTY OF LAMSON & SESSIONS AND SHALL NOT BE REPRODUCED IN ANY FORM WITHOUT LAMSON & SESSIONS' APPROVAL AND ARE TO BE PROMPTLY RETURNED UPON REQUEST.

DRN DPR 1-27-94

APP. AG 7-16-96

PART NO:

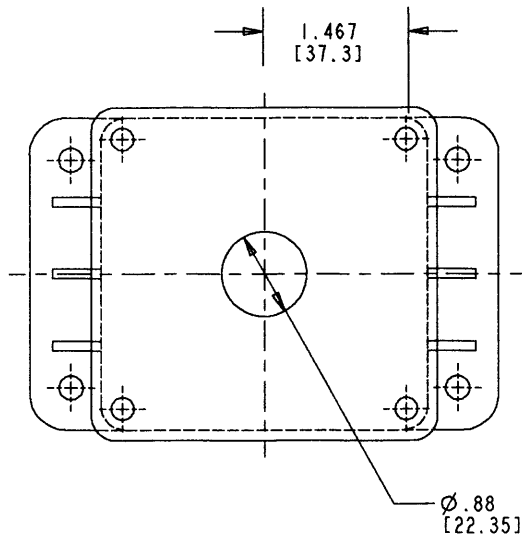
SEE CHART

DRAWING NO:

AC01670

SHT. 1 OF 2

REV. B



P/N PX0010

TITLE: PUSH BUTTON ENCLOSURE		DRN. DPR DATE 1-27-94	PART NO.: SEE ABOVE
LAMSON & SESSIONS	ALL DRAWINGS ARE THE PROPERTY OF LAMSON & SESSIONS AND SHALL NOT BE REPRODUCED IN ANY FORM WITHOUT LAMSON & SESSIONS' APPROVAL AND ARE TO BE PROMPTLY RETURNED UPON REQUEST.	APP.	DATE
		DRAWING NO.: AC01670	REV. B
		SHT. 2 OF 2	