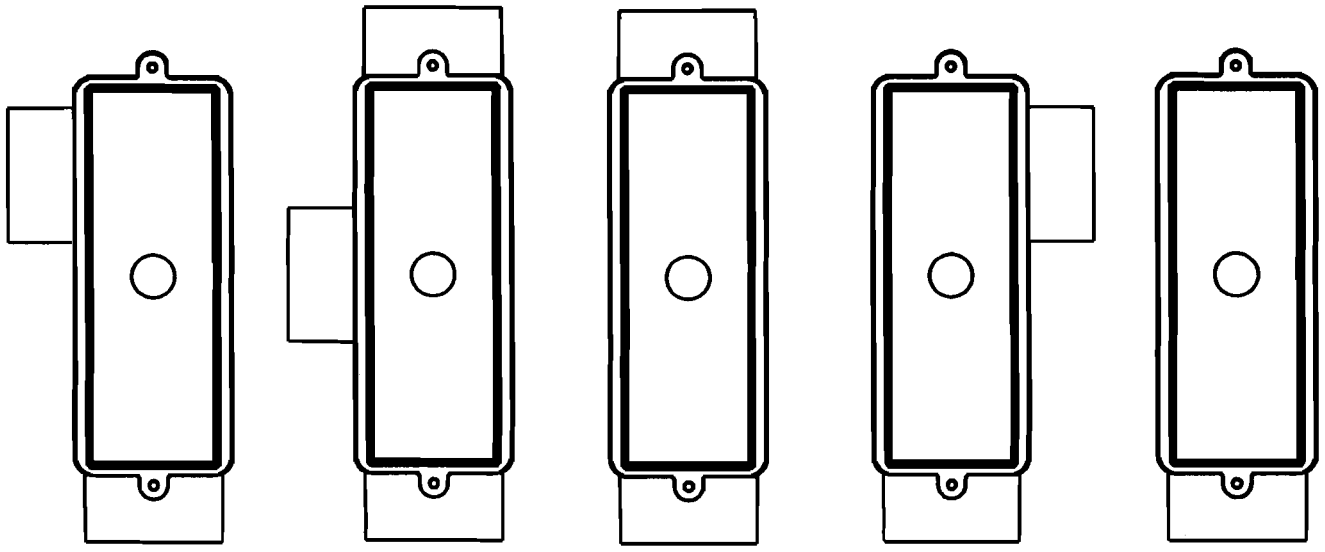


This information provided by:



Gross Automation  
[www.grossautomation.com](http://www.grossautomation.com)

Call Toll Free:  
**800-349-5827**



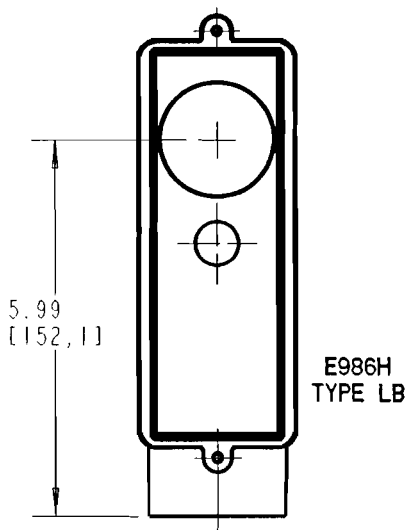
E985H  
TYPE LR

E983H  
TYPE T

E987H  
TYPE C

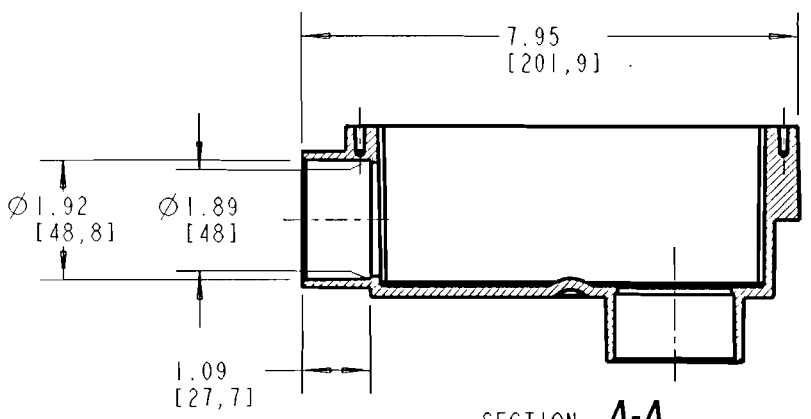
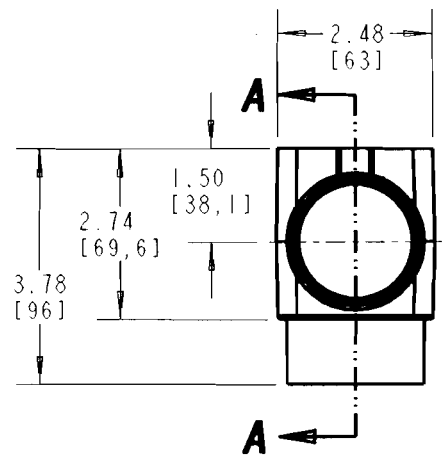
E984H  
TYPE LL

E988H  
TYPE E



E986H  
TYPE LB

- NOTES:
- FITTING ASSEMBLIES INCLUDE:  
1 - FITTING BODY  
1 - GASKET  
1 - COVER  
2 - SCREWS
  - PORT DIMENSIONS ARE TYPICAL REGARDLESS OF POSITION.
  - DIMENSIONS ARE IN INCH/MILLIMETERS.



SECTION A-A

TITLE: ACCESS FITTINGS - 1 1/2"		DRN: DPR	DATE: 1-24-06	PART NO: AS NOTED
LAMSON & SESSIONS	ALL DRAWINGS ARE THE PROPERTY OF LAMSON & SESSIONS AND SHALL NOT BE REPRODUCED IN ANY FORM WITHOUT LAMSON & SESSIONS' APPROVAL AND ARE TO BE PROMPTLY RETURNED UPON REQUEST.	APP.	DATE:	DRAWING NO: AC04834
				REV.