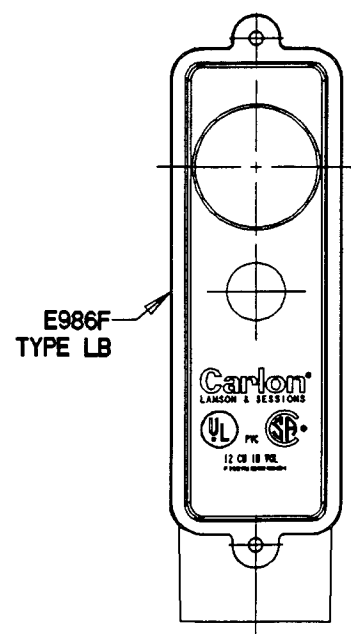
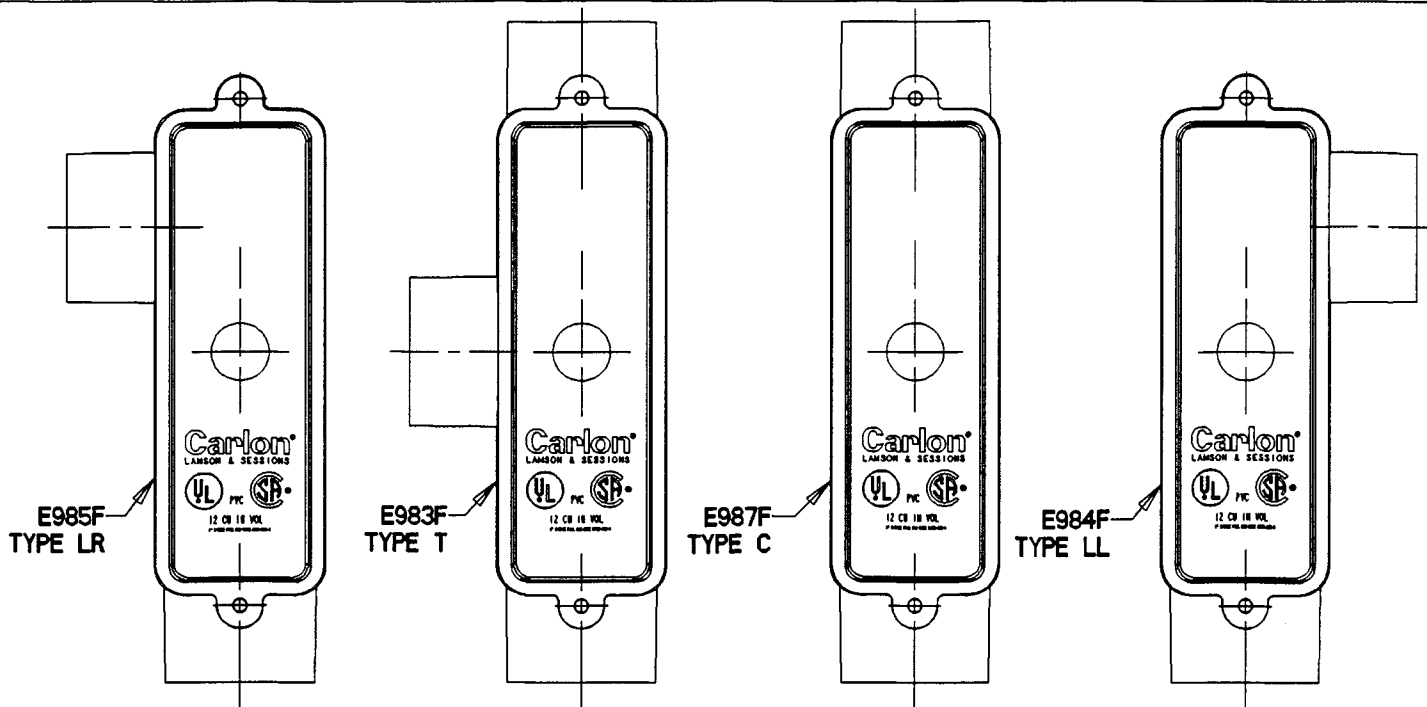


This information provided by:

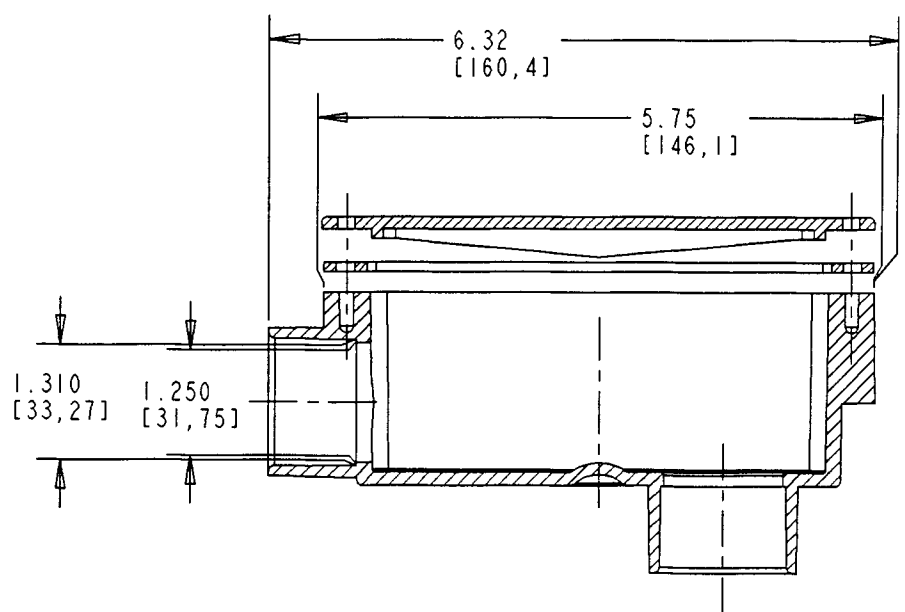
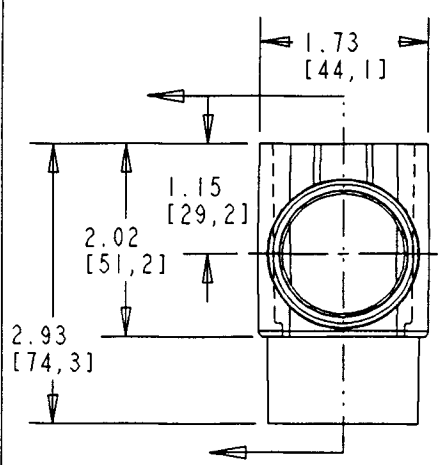


Gross Automation  
[www.grossautomation.com](http://www.grossautomation.com)

Call Toll Free:  
**800-349-5827**



- NOTES:**
- FITTING ASSEMBLIES INCLUDE:
    - (1) FITTING BODY
    - (1) GASKET
    - (1) COVER
    - (2) SCREWS
  - PORT DIMENSIONS ARE TYPICAL REGARDLESS OF POSITION
  - DIMENSIONS ARE IN INCHES[MILLIMETERS].



TITLE <b>ACCESS FITTINGS - 1"</b>		DRN RG	DATE 6/10/02	PART NO: <b>AS NOTED</b>
LAMSON & SESSIONS		APP <i>WJL</i>		DRAWING NO: <b>AC04179</b>
ALL DRAWINGS ARE THE PROPERTY OF LAMSON & SESSIONS AND SHALL NOT BE REPRODUCED IN ANY FORM WITHOUT LAMSON & SESSIONS' APPROVAL AND ARE TO BE PROMPTLY RETURNED UPON REQUEST.		DATE		REV.