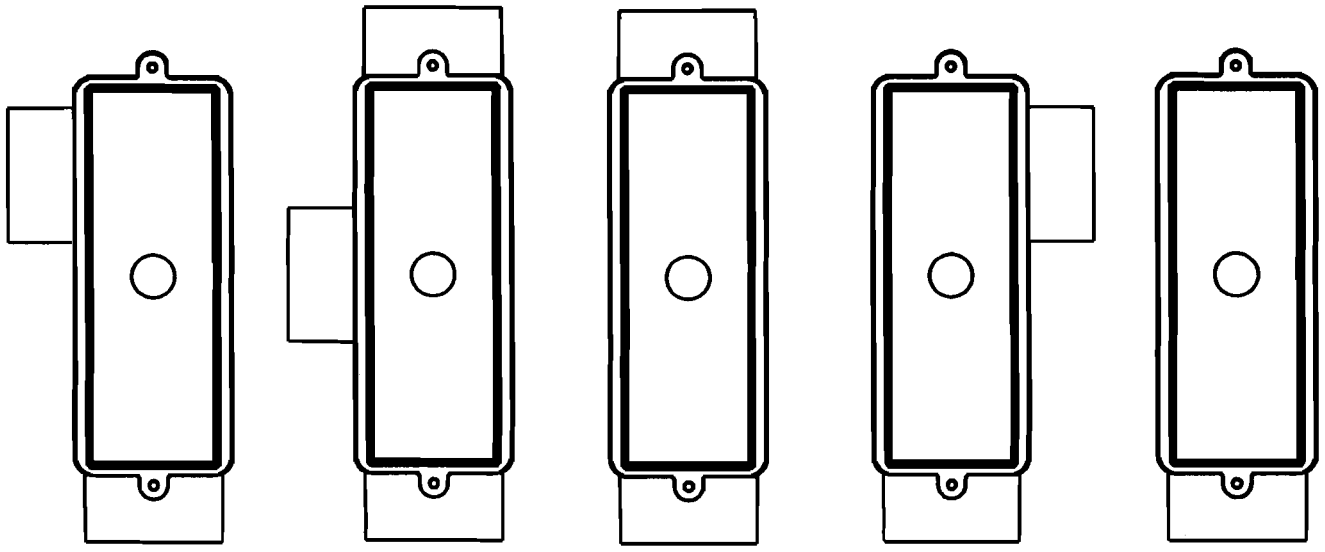


This information provided by:



Gross Automation
www.grossautomation.com

Call Toll Free:
800-349-5827



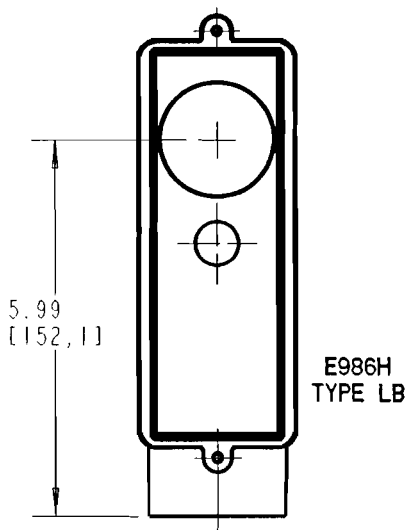
E985H
TYPE LR

E983H
TYPE T

E987H
TYPE C

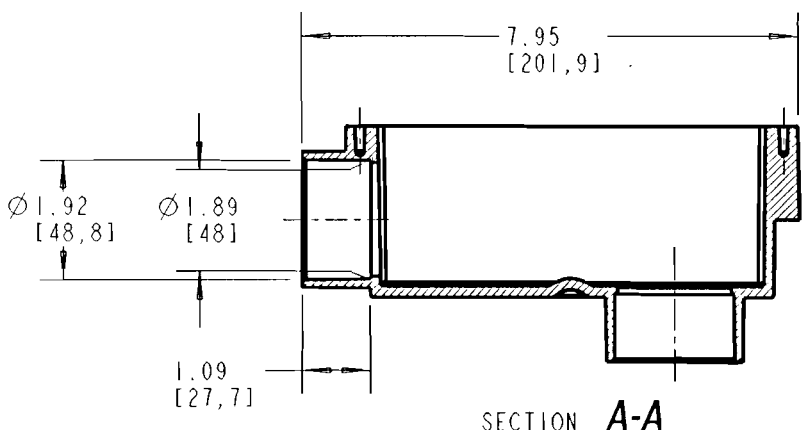
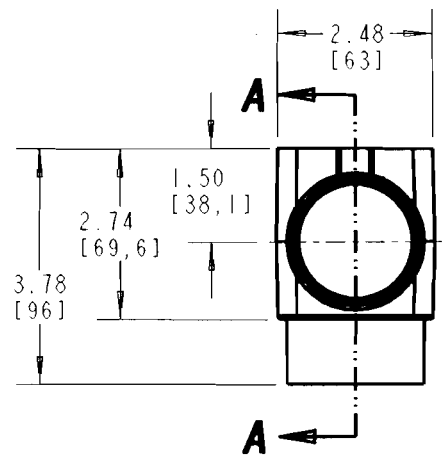
E984H
TYPE LL

E988H
TYPE E



E986H
TYPE LB

- NOTES:
- FITTING ASSEMBLIES INCLUDE:
1 - FITTING BODY
1 - GASKET
1 - COVER
2 - SCREWS
 - PORT DIMENSIONS ARE TYPICAL REGARDLESS OF POSITION.
 - DIMENSIONS ARE IN INCH/MILLIMETERS.



SECTION A-A

TITLE: ACCESS FITTINGS - 1 1/2"		DRN: DPR	DATE: 1-24-06	PART NO: AS NOTED
LAMSON & SESSIONS	ALL DRAWINGS ARE THE PROPERTY OF LAMSON & SESSIONS AND SHALL NOT BE REPRODUCED IN ANY FORM WITHOUT LAMSON & SESSIONS' APPROVAL AND ARE TO BE PROMPTLY RETURNED UPON REQUEST.	APP.	DATE:	DRAWING NO: AC04834
				REV.