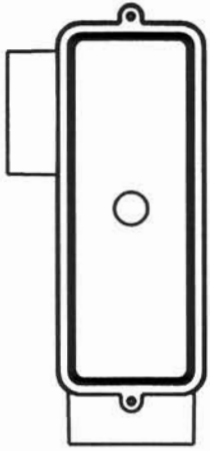


This information provided by:

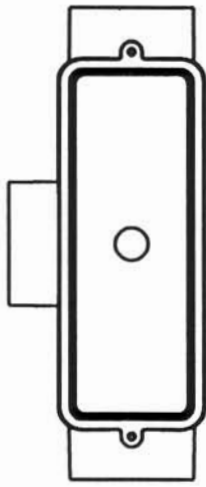


Gross Automation  
[www.grossautomation.com](http://www.grossautomation.com)

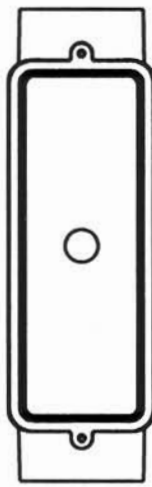
Call Toll Free:  
**800-349-5827**



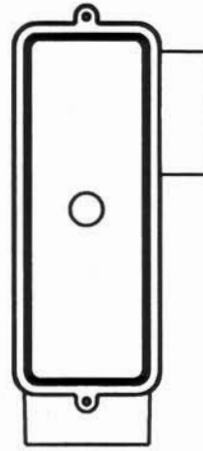
E985J  
TYPE LR



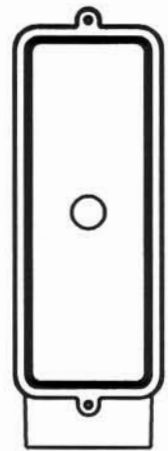
E983J  
TYPE T



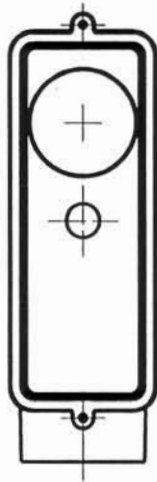
E987J  
TYPE C



E984J  
TYPE LL



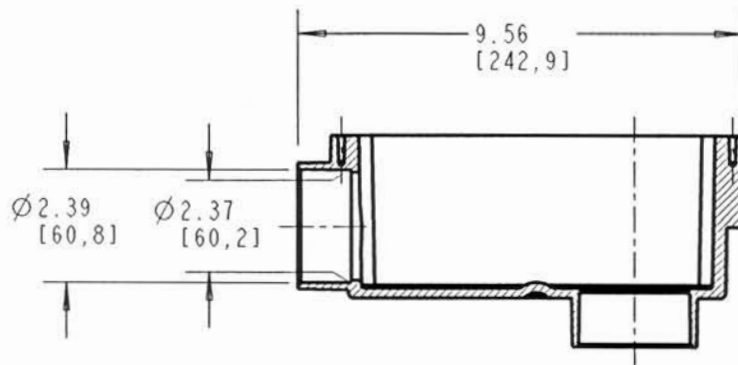
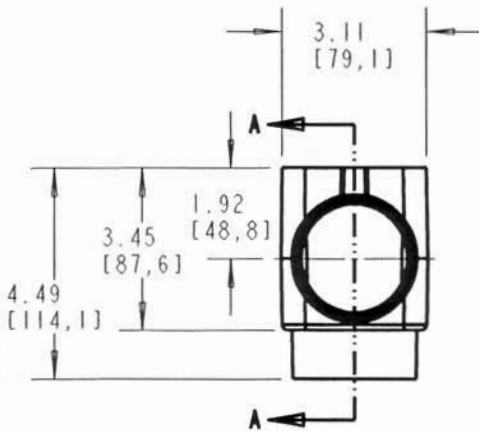
E988J  
TYPE E



E986J  
TYPE LB

NOTES:

1. FITTING ASSEMBLIES INCLUDE:
  - 1 - FITTING BODY
  - 1 - GASKET
  - 1 - COVER
  - 2 - SCREWS
2. PORT DIMENSIONS ARE TYPICAL REGARDLESS OF POSITION.
3. DIMENSIONS ARE IN INCH/MILLIMETERS.



SECTION A-A

TITLE: ACCESS FITTINGS - 2"		DRN: DPR	DATE: 1-17-06	PART NO.: AS NOTED	
LAMSON & SESSIONS	ALL DRAWINGS ARE THE PROPERTY OF LAMSON & SESSIONS AND SHALL NOT BE REPRODUCED IN ANY FORM WITHOUT LAMSON & SESSIONS' APPROVAL AND ARE TO BE PROMPTLY RETURNED UPON REQUEST.	APP.	DATE	DRAWING NO.: AC04830	REV.