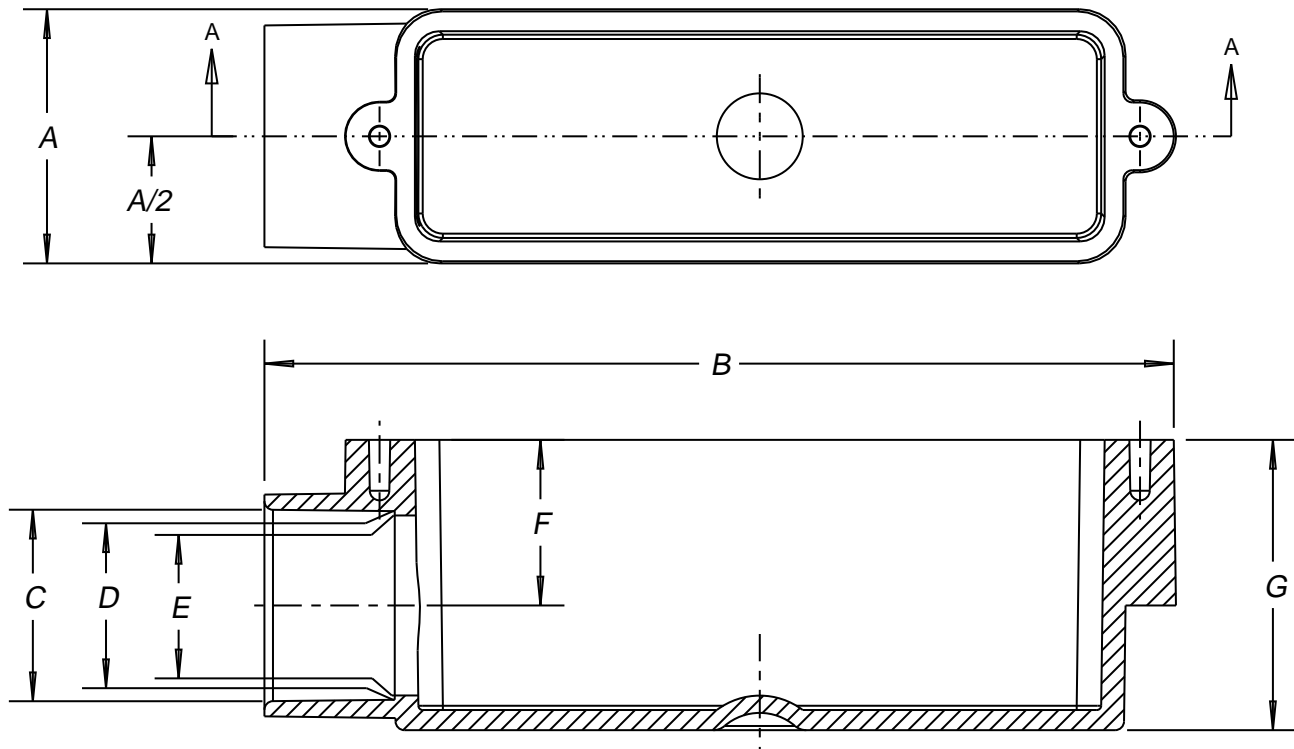


Carlton®



PART NO	SIZE	A	B	C	D	E	F	G
E988D	1/2"	1.35 [34.3]	4.26 [109.1]	0.85 [21.6]	0.84 [21.3]	0.76 [19.3]	0.82 [21.0]	1.50 [38.1]
E988E	3/4"	1.77 [45.5]	6.32 [160.5]	1.06 [26.9]	1.05 [26.7]	0.93 [23.6]	1.27 [32.3]	2.02 [51.3]
E988F	1"	1.77 [45.5]	6.32 [160.5]	1.33 [33.8]	1.31 [33.3]	1.25 [31.8]	1.15 [29.2]	2.02 [51.3]
E988G	1 1/4"	2.53 [64.3]	7.95 [201.9]	1.68 [42.7]	1.66 [42.2]	1.58 [40.1]	1.64 [41.7]	2.74 [69.6]
E988H	1 1/2"	2.53 [64.3]	7.95 [201.9]	1.92 [48.8]	1.89 [48.0]	1.81 [46.0]	1.50 [38.1]	2.74 [69.6]
E988J	2"	3.11 [79]	9.56 [242.9]	2.39 [60.7]	2.37 [60.2]	2.28 [57.9]	1.92 [48.8]	3.45 [87.6]

NOTES:

- 1.) PRODUCT, AS SOLD, INCLUDES A GASKET AND COVER.
- 2.) DIMENSIONS ARE: INCH [mm].

TITLE: ACCESS FITTINGS - TYPE "E"		DRN. DATE RG 9/8/99	PART NO.: SEE CHART	
LAMSON & SESSIONS	ALL DRAWINGS ARE THE PROPERTY OF LAMSON & SESSIONS AND SHALL NOT BE REPRODUCED IN ANY FORM WITHOUT LAMSON & SESSIONS' APPROVAL AND ARE TO BE PROMPTLY RETURNED UPON REQUEST.	APP. DATE EGH 9/8/99	DRAWING NO.: AC03641	REV. B