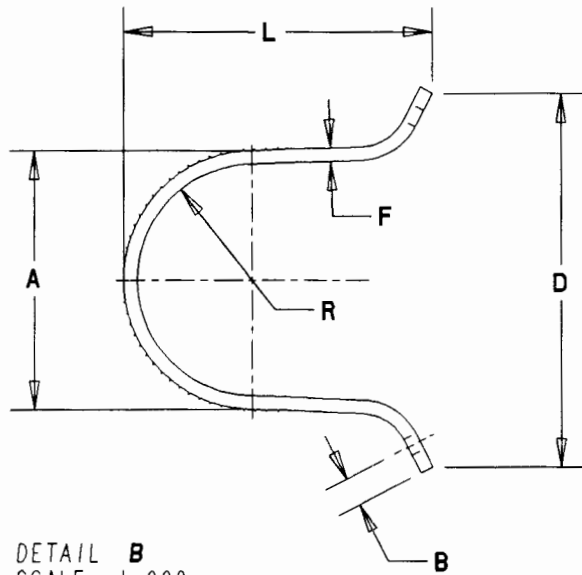


This information provided by:

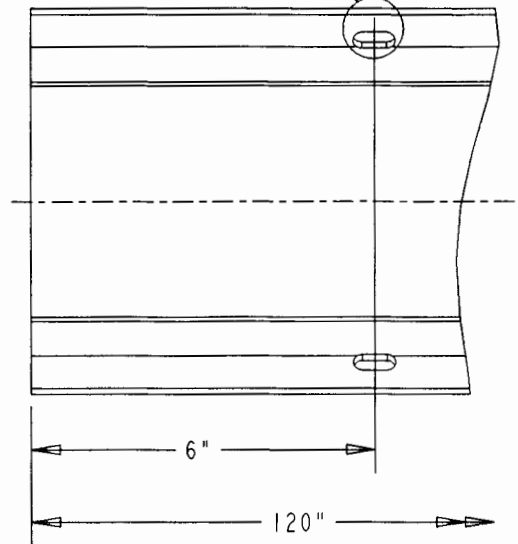


Gross Automation  
[www.grossautomation.com](http://www.grossautomation.com)

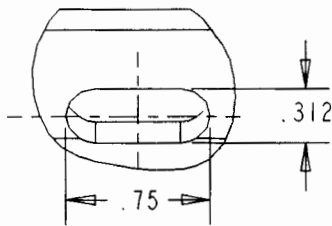
Call Toll Free:  
**800-349-5827**



SEE DETAIL B



DETAIL B  
SCALE 1.000



NOTE:  
1" & 1-1/2" SIZES HAVE  
.188 WIDE SLOTS ONLY

P.V. MOLD - HEAVY WALL - SCH 40							
PART NO.	SIZE	A	B	D	F	L	R
59010N	1-1/2"	1.9 [48]	.4 [10]	3.5 [89]	.15 [3.8]	2.1 [53]	.81 [20.6]
59011N	2"	2.4 [61]	.5 [13]	4.5 [114]	.15 [3.8]	2.8 [71]	1.03 [26.2]
59013N	3"	3.5 [89]	.5 [13]	6.0 [152]	.22 [5.6]	4.2 [107]	1.53 [38.9]
59015N	4"	4.5 [114]	.5 [13]	6.5 [165]	.24 [6.1]	5.4 [137]	2.01 [51.1]
59016N	5"	5.5 [140]	.5 [13]	7.5 [191]	.26 [6.6]	6.8 [173]	2.49 [63.2]
59017N	6"	6.6	.5 [13]	8.8 [224]	.28 [7.1]	8.4 [213]	3.03 [77.0]
P.V. MOLD - EXTRA HEAVY WALL - SCH. 80							
PART NO.	SIZE	A	B	D	F	L	R
59411N	2"	2.4 [61]	.5 [13]	4.5 [114]	.22 [5.6]	2.8 [71]	.97 [24.6]
59413N	3"	3.5 [89]	.5 [13]	6.0 [152]	.30 [7.6]	4.2 [107]	1.45 [36.8]
P.V. MOLD - THIN WALL - STANDARD DUTY							
PART NO.	SIZE	A	B	D	F	L	R
59208N	1"	1.3	.4 [10]	2.9 [74]	.10 [2.5]	1.5 [38]	.56 [14.2]
59211N	2"	2.4 [61]	.5 [13]	4.5 [114]	.10 [2.5]	2.8 [71]	1.09 [27.7]
59213N	3"	3.5 [89]	.5 [13]	6.0 [152]	.15 [3.8]	4.2 [107]	1.60 [40.6]
59215N	4"	4.5 [114]	.5 [13]	6.5 [165]	.15 [3.8]	5.4 [137]	2.10 [53.3]
59216N	5"	5.5 [140]	.5 [13]	7.5 [191]	.15 [3.8]	6.8 [173]	2.60 [66.0]

TITLE: PV MOLD (POLE RISERS)		DRN: RG	DATE: 9/15/04	PART NO: SEE CHARTS	
LAMSON & SESSIONS	ALL DRAWINGS ARE THE PROPERTY OF LAMSON & SESSIONS AND SHALL NOT BE REPRODUCED IN ANY FORM WITHOUT LAMSON & SESSIONS' APPROVAL AND ARE TO BE PROMPTLY RETURNED UPON REQUEST.	APP: GDT	DATE: 9/15/04	DRAWING NO: AC04614	
					REV.