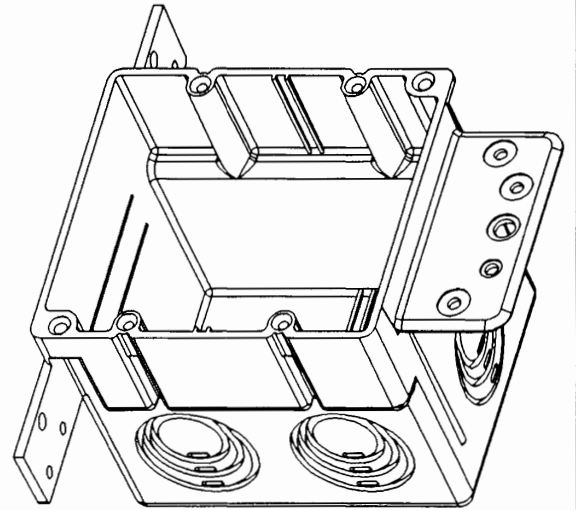
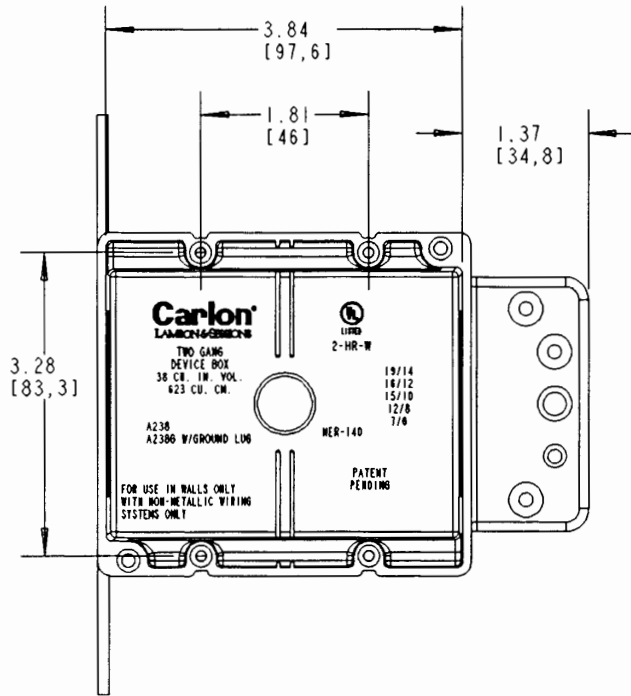


This information provided by:

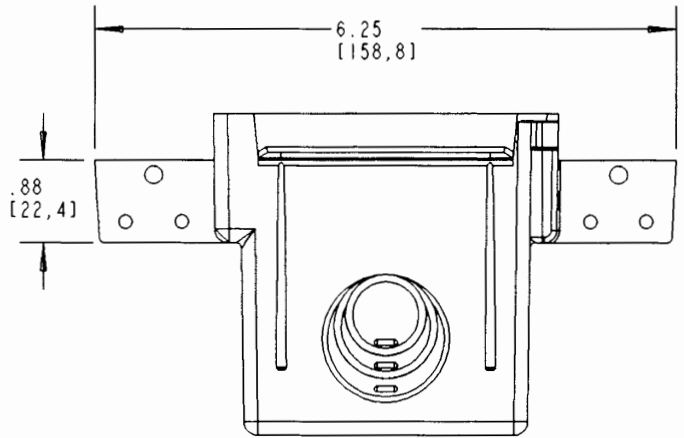
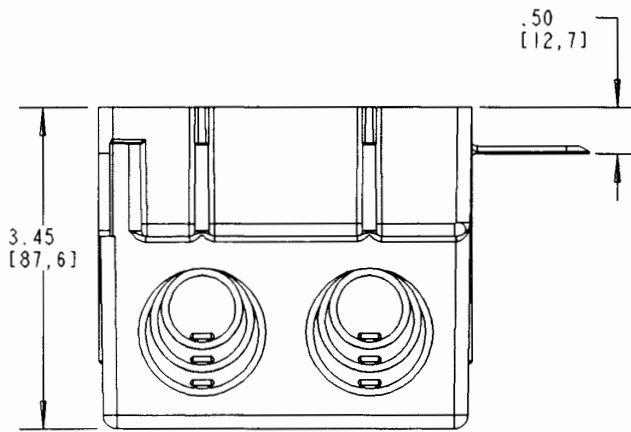


Gross Automation
www.grossautomation.com

Call Toll Free:
800-349-5827



SCALE 0.500



1/2", 3/4 & 1" KNOCKOUTS
6 PLACES

NOTES:

1. ALL DIMENSIONS ARE IN INCH[MILLIMETERS].
2. PRODUCT IS UL LISTED.
3. MATERIAL: BLUE PVC

TITLE ENT 2-GANG OUTLET BOX		DRN DPR	DATE 4-30-03	PART NO.: A238
LAMSON & SESSIONS	ALL DRAWINGS ARE THE PROPERTY OF LAMSON & SESSIONS AND SHALL NOT BE REPRODUCED IN ANY FORM WITHOUT LAMSON & SESSIONS' APPROVAL AND ARE TO BE PROMPTLY RETURNED UPON REQUEST.	APP.	DATE 5-13-03	DRAWING NO.: AC04385
		EGH		REV. B