

This information provided by:



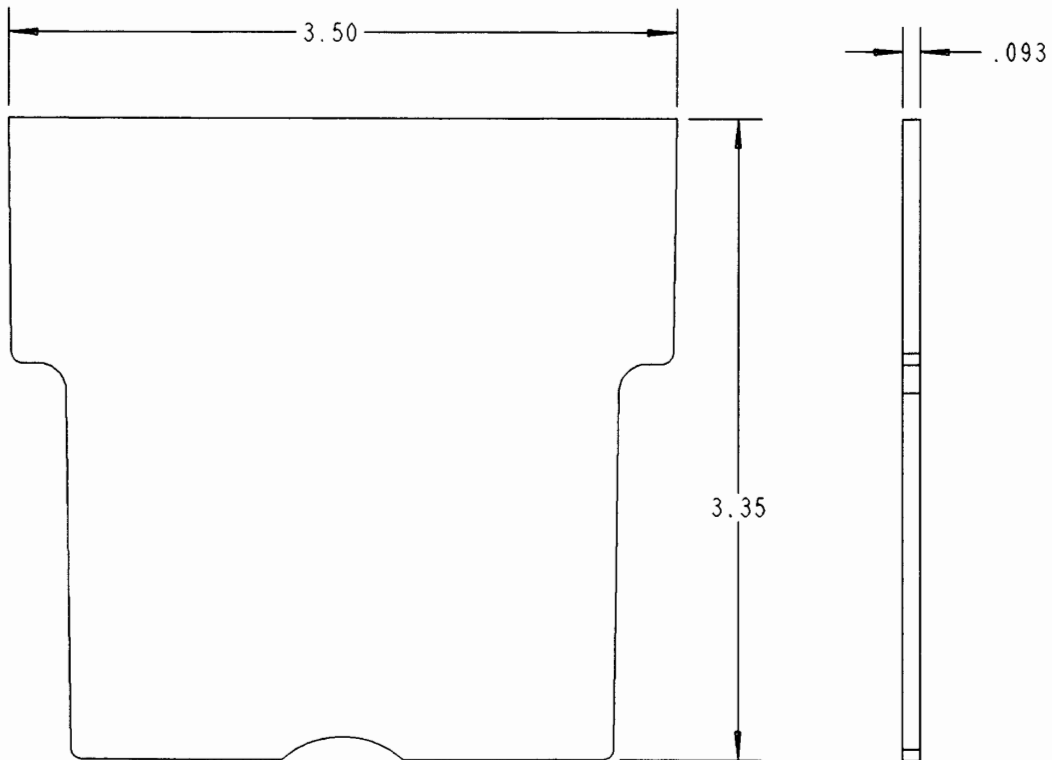
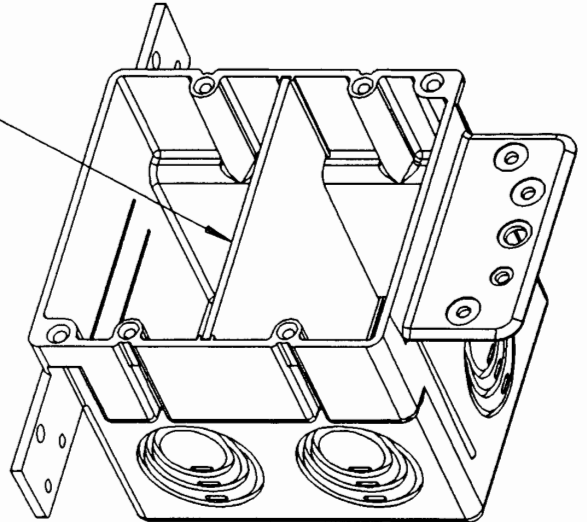
Gross Automation
www.grossautomation.com

Call Toll Free:
800-349-5827

Carlson®

DIVIDER P/N A238DIV

(DIVIDER IS FOR USE
IN CARLON ENT OUTLET
BOX P/N A238)



TITLE		DIVIDER - ENT OUTLET BOX		DRN	DATE	PART NO:	A238DIV	
LAMSON & SESSIONS		ALL DRAWINGS ARE THE PROPERTY OF LAMSON & SESSIONS AND SHALL NOT BE REPRODUCED IN ANY FORM WITHOUT LAMSON & SESSIONS' APPROVAL AND ARE TO BE PROMPTLY RETURNED UPON REQUEST.		RO	3/15/04	DRAWING NO:	AC04515	
				APP.	DATE	REV.		
				CHR	3/18/04			