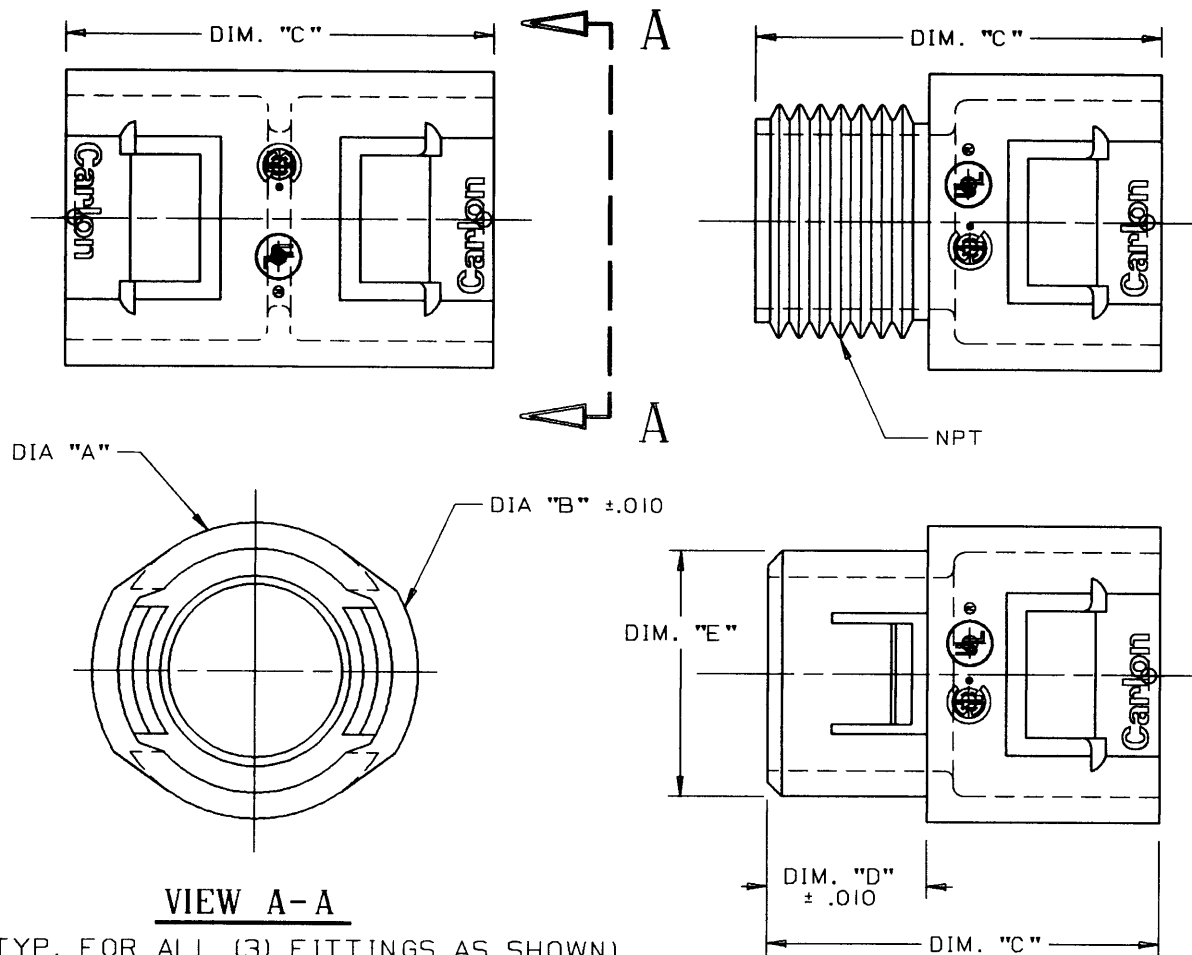


This information provided by:



Gross Automation
www.grossautomation.com

Call Toll Free:
800-349-5827



VIEW A-A

(TYP. FOR ALL (3) FITTINGS AS SHOWN)

NOTES:

1. MAT'L : LEXAN
2. CHART DIMENSIONS ARE IN INCHES.
3. ONE PIECE ENT QUICK CONNECT COUPLINGS, THREADED ADAPTERS AND SNAP-IN TERMINATOR ADAPTERS ARE SUITABLE FOR DAMP LOCATIONS.
4. QUICK CONNECT COUPLINGS AND THREADED ADAPTERS ARE CONCRETE-TIGHT WHEN USED WITH CARLON ENT. WHEN ONE PIECE QUICK CONNECT SNAP-IN TERMINATOR ADAPTERS ARE INSTALLED IN A CONCRETE APPLICATION, CARLON'S FLAT SEALING WASHERS MUST BE USED ON THE BOX CONNECTION ENDS.

"ENT COUPLINGS/ADAPTERS"						
PART NO.	SIZE	A	B	C	D	E
	IN MM	IN MM	IN MM	IN MM	IN MM	IN MM
A240D	1/2" 12.7	1.026 26	1.126 29	1.586 40	—	—
A240E	3/4" 19	1.246 31	1.346 34	1.856 47	—	—
A240F	1" 25.4	1.521 39	1.621 41	1.856 47	—	—
A243D	1/2" 12.7	1.026 26	1.126 41	1.586 40	.563 14	—
A243E	3/4" 19	1.246 32	1.346 34	1.856 47	.563 14	—
A243F	1" 25.4	1.521 39	1.621 41	1.856 47	.688 17	—
A253D	1/2" 12.7	1.026 26	1.126 41	1.406 36	.563 14	.850 21
A253E	3/4" 19	1.246 31	1.346 34	1.541 39	.563 14	1.084 27
A253F	1" 25.4	1.521 39	1.621 41	1.666 42	.688 17	1.354 34

TITLE: ENT COUPLINGS/ADAPTERS 1/2", 3/4" & 1"

DRN. DATE
PMW 8/2/95

PART NO:
SEE CHART

LAMSON & SESSIONS

ALL DRAWINGS ARE THE PROPERTY OF LAMSON & SESSIONS AND SHALL NOT BE REPRODUCED IN ANY FORM WITHOUT LAMSON & SESSIONS' APPROVAL AND ARE TO BE PROMPTLY RETURNED UPON REQUEST.

APP. DATE
DM 12/1/95

DRAWING NO:
AC02379

REV.
A