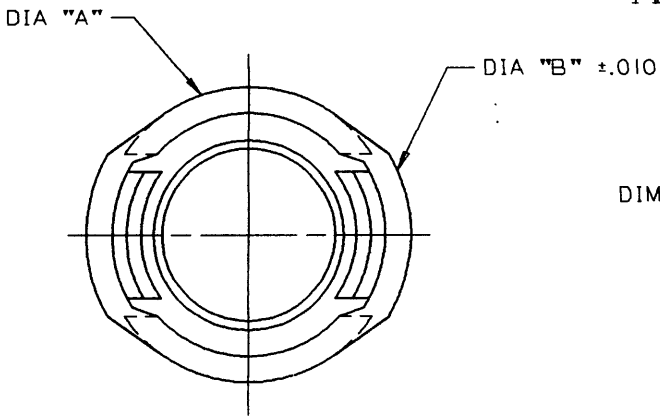
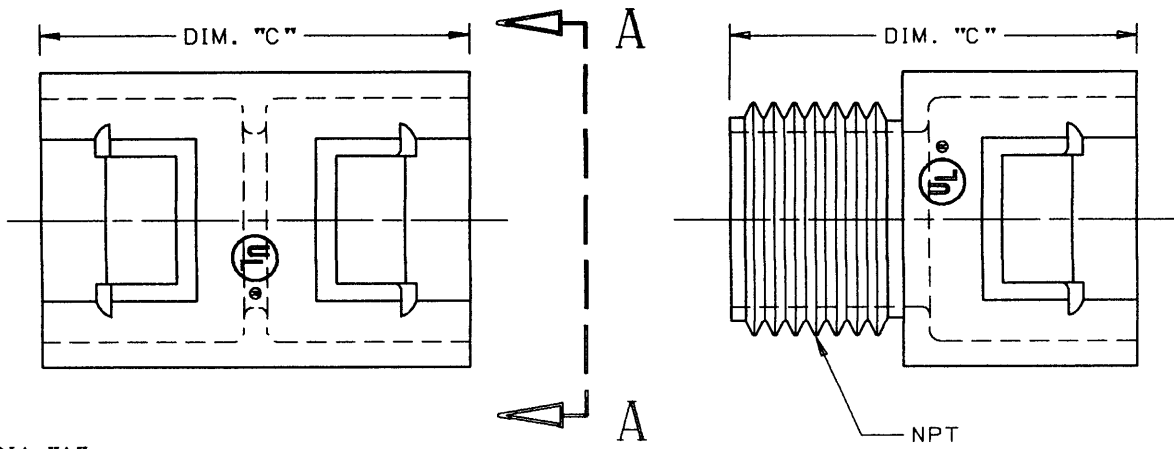


This information provided by:



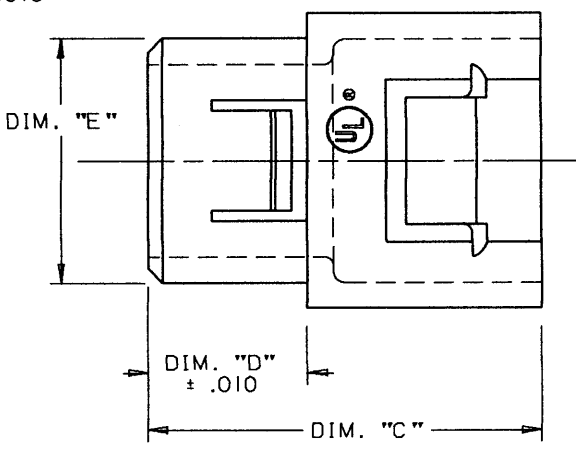
Gross Automation
www.grossautomation.com

Call Toll Free:
800-349-5827



VIEW A-A

(TYP. FOR ALL (3) FITTINGS AS SHOWN)



- NOTES:
1. MAT'L: KYNAR 710
 2. CHART DIMENSIONS ARE IN INCHES/MILLIMETERS.
 3. ONE PIECE QUICK CONNECT COUPLINGS, THREADED ADAPTERS AND SNAP-IN TERMINATOR ADAPTERS ARE SUITABLE FOR PLENUM LOCATIONS.

| "PLENUM GARD COUPLINGS/ADAPTERS" | | | | | | |
|----------------------------------|------------|-------------|-------------|-------------|------------|-------------|
| PART NO. | SIZE | A | B | C | D | E |
| | IN MM | IN MM | IN MM | IN MM | IN MM | IN MM |
| A340F | 1" 25.4 | 1.521 39 | 1.621 41 | 1.856 47 | — | — |
| A343F | 1" 25.4 | 1.521 39 | 1.621 41 | 1.856 47 | .688 17 | — |
| A353F | 1" 25.4 | 1.521 39 | 1.621 41 | 1.666 42 | .688 17 | 1.354 34 |

| | | | | | |
|--|--|----------|--------------|---------------------|------|
| TITLE: PLENUM GARD COUPLINGS/ADAPTERS - 1" | | DRN. RG | DATE 4/23/98 | PART NO: SEE CHART | |
| LAMSON & SESSIONS | ALL DRAWINGS ARE THE PROPERTY OF LAMSON & SESSIONS AND SHALL NOT BE REPRODUCED IN ANY FORM WITHOUT LAMSON & SESSIONS' APPROVAL AND ARE TO BE PROMPTLY RETURNED UPON REQUEST. | APP. CAH | DATE 5-5-98 | DRAWING NO: AC03394 | REV. |