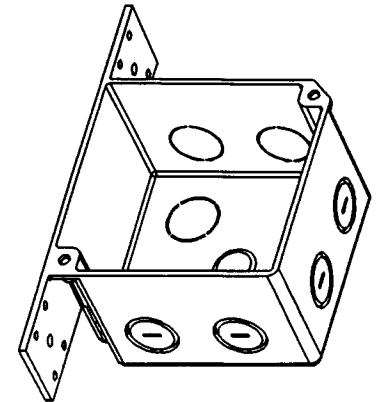
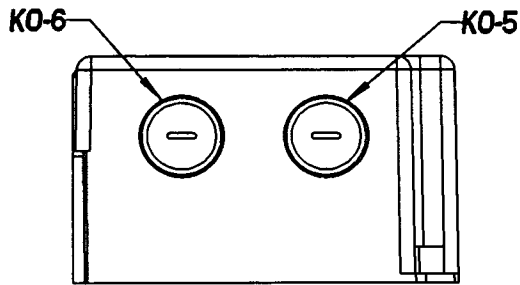


This information provided by:

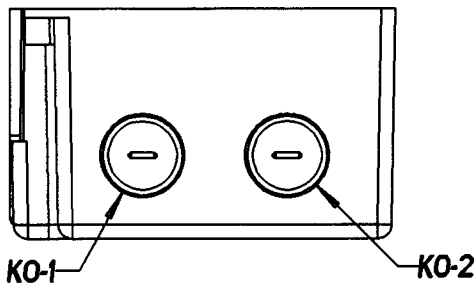
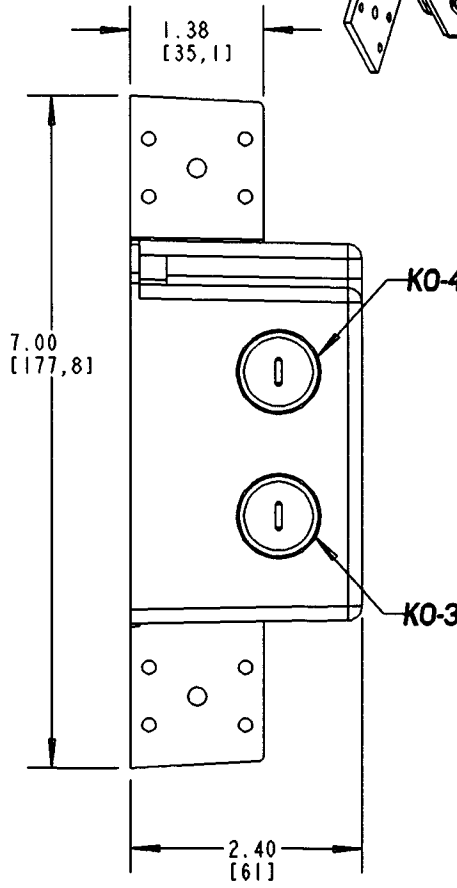
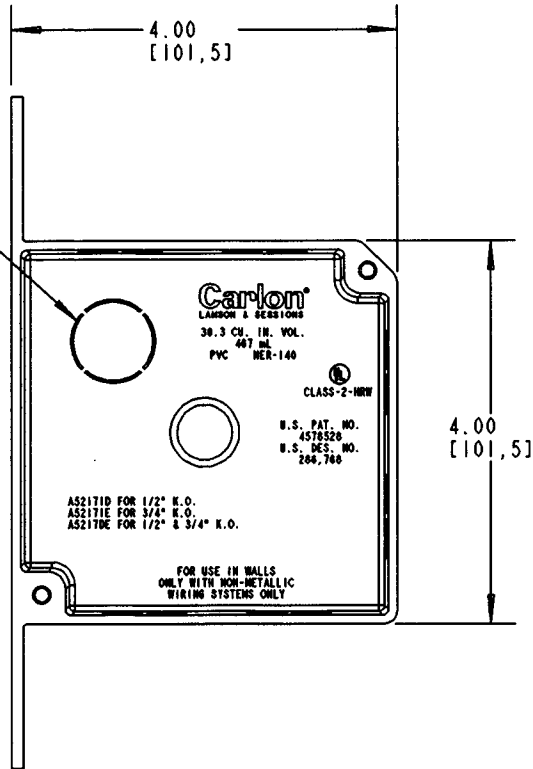


Gross Automation  
[www.grossautomation.com](http://www.grossautomation.com)

Call Toll Free:  
**800-349-5827**



SCALE 0.333



NOTE:  
1. ALL DIMENSIONS ARE IN INCH(MILLIMETERS)

SIZE	PART NO.	KO-1	KO-2	KO-3	KO-4	KO-5	KO-6	KO-7
1/2"	A52171D	∅.88 [22.2]	∅.88 [22.2]	∅.88 [22.2]	∅.88 [22.2]	∅.88 [22.2]	∅.88 [22.2]	∅.88 [22.2]
3/4"	A52171E	∅1.11 [27.7]	∅1.11 [27.7]	∅1.11 [27.7]	∅1.11 [27.7]	∅1.11 [27.7]	∅1.11 [27.7]	∅.88 [22.2]
1/2" & 3/4"	A5217DE	∅.88 [22.2]	∅1.11 [27.7]	∅1.11 [27.7]	∅.88 [22.2]	∅.88 [22.2]	∅1.11 [27.7]	∅.88 [22.2]

TITLE <b>4" SQ. DEEP BOX WITH KNOCKOUTS</b>		DRN DPR	DATE 4-2-02	PART NO: <b>SEE CHART</b>	
<b>LAMSON &amp; SESSIONS</b> ALL DRAWINGS ARE THE PROPERTY OF LAMSON & SESSIONS AND SHALL NOT BE REPRODUCED IN ANY FORM WITHOUT LAMSON & SESSIONS' APPROVAL AND ARE TO BE PROMPTLY RETURNED UPON REQUEST.		APP.	DATE	DRAWING NO: <b>AC04139</b>	REV.