

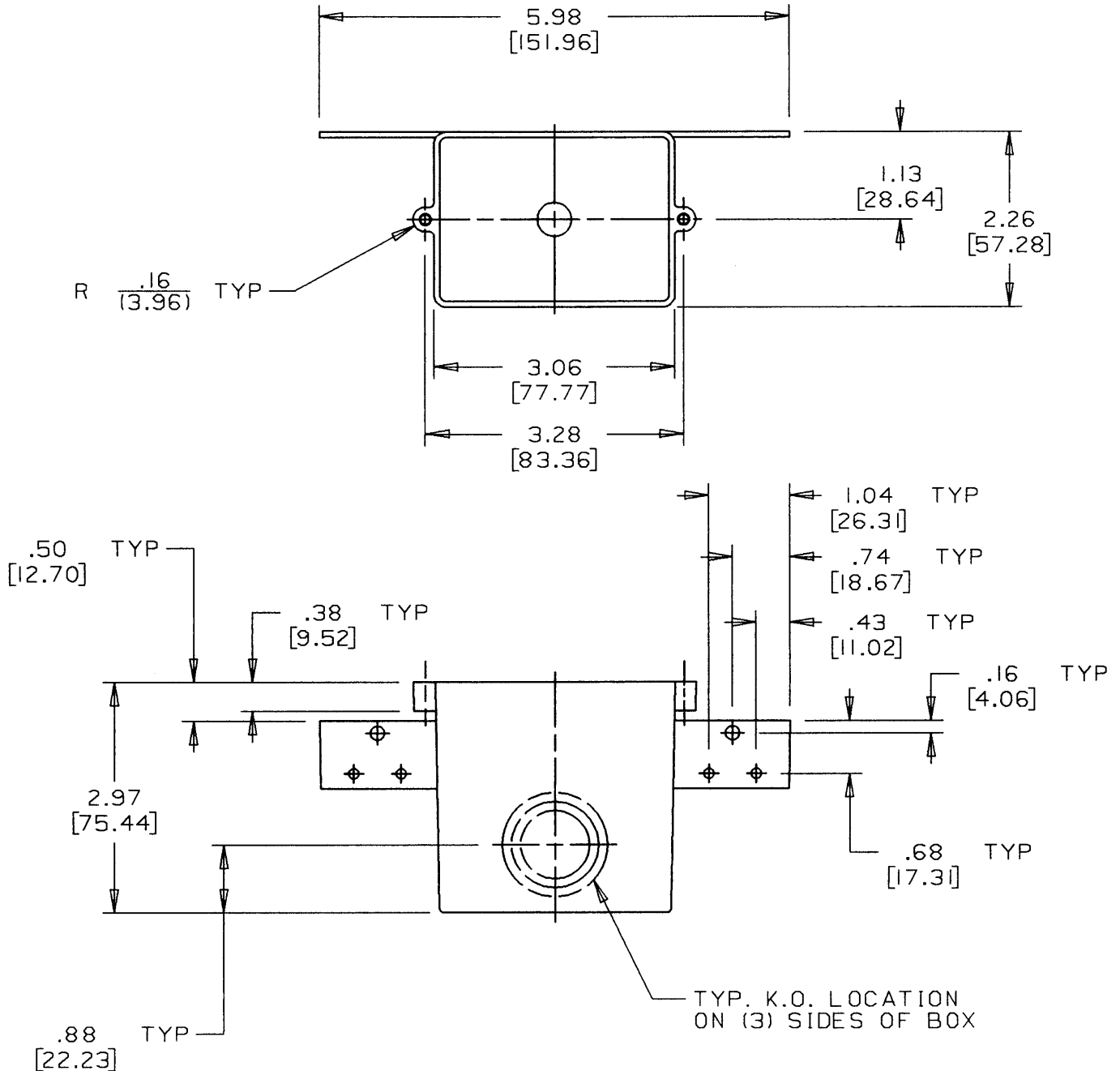
This information provided by:



Gross Automation
www.grossautomation.com

Call Toll Free:
800-349-5827

PART NO.	K.O. SIZE
A5838ID	1/2"
A5838IE	3/4"
A5838IF	1"



TITLE: ENT SINGLE GANG BOX - DEEP

DRN. DATE
SLK 11-92

PART NO:
SEE CHART

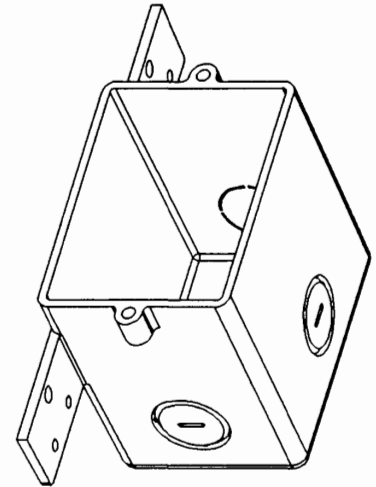
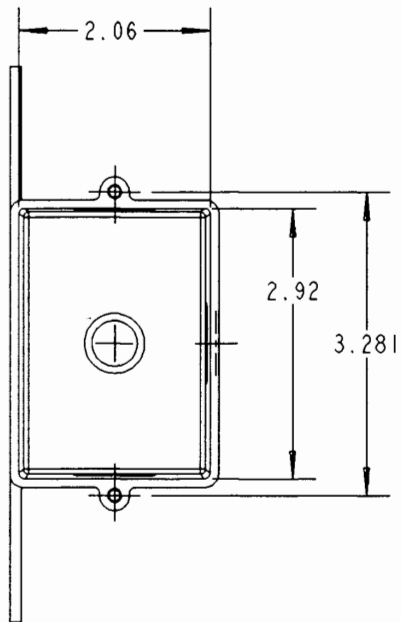
LAMSON & SESSIONS

ALL DRAWINGS ARE THE PROPERTY OF LAMSON & SESSIONS AND SHALL NOT BE REPRODUCED IN ANY FORM WITHOUT LAMSON & SESSIONS' APPROVAL AND ARE TO BE PROMPTLY RETURNED UPON REQUEST.

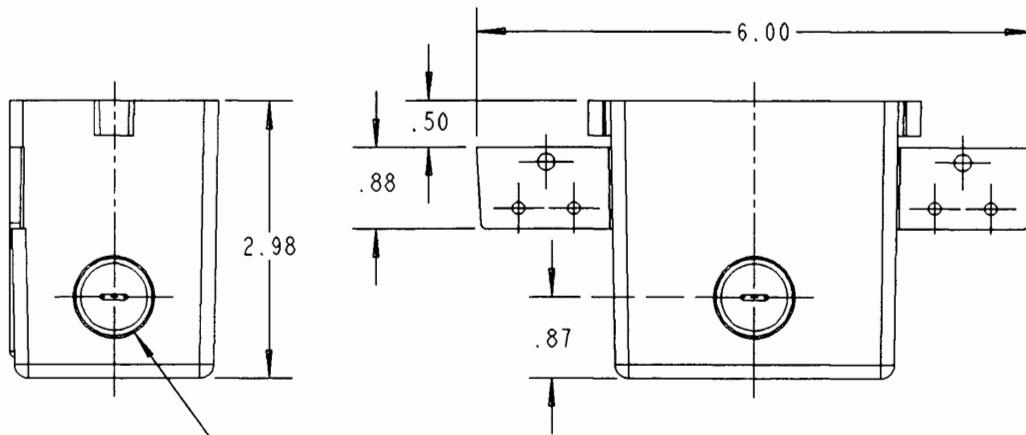
APP. DATE
DAM

DRAWING NO:
AC01220

REV.
A



SCALE 0.500



KNOCKOUTS - 3 PLCS.
 1/2" - A58381D
 3/4" - A58381E

TITLE SINGLE GANG DEVICE BOX - ENT KNOCKOUTS		DRN DPR 6-29-04	DATE 6-29-04	PART NO: A58381D/E
LAMSON & SESSIONS	ALL DRAWINGS ARE THE PROPERTY OF LAMSON & SESSIONS AND SHALL NOT BE REPRODUCED IN ANY FORM WITHOUT LAMSON & SESSIONS' APPROVAL AND ARE TO BE PROMPTLY RETURNED UPON REQUEST.	APP	DATE 6/29/04	DRAWING NO: AC04568
				REV.