

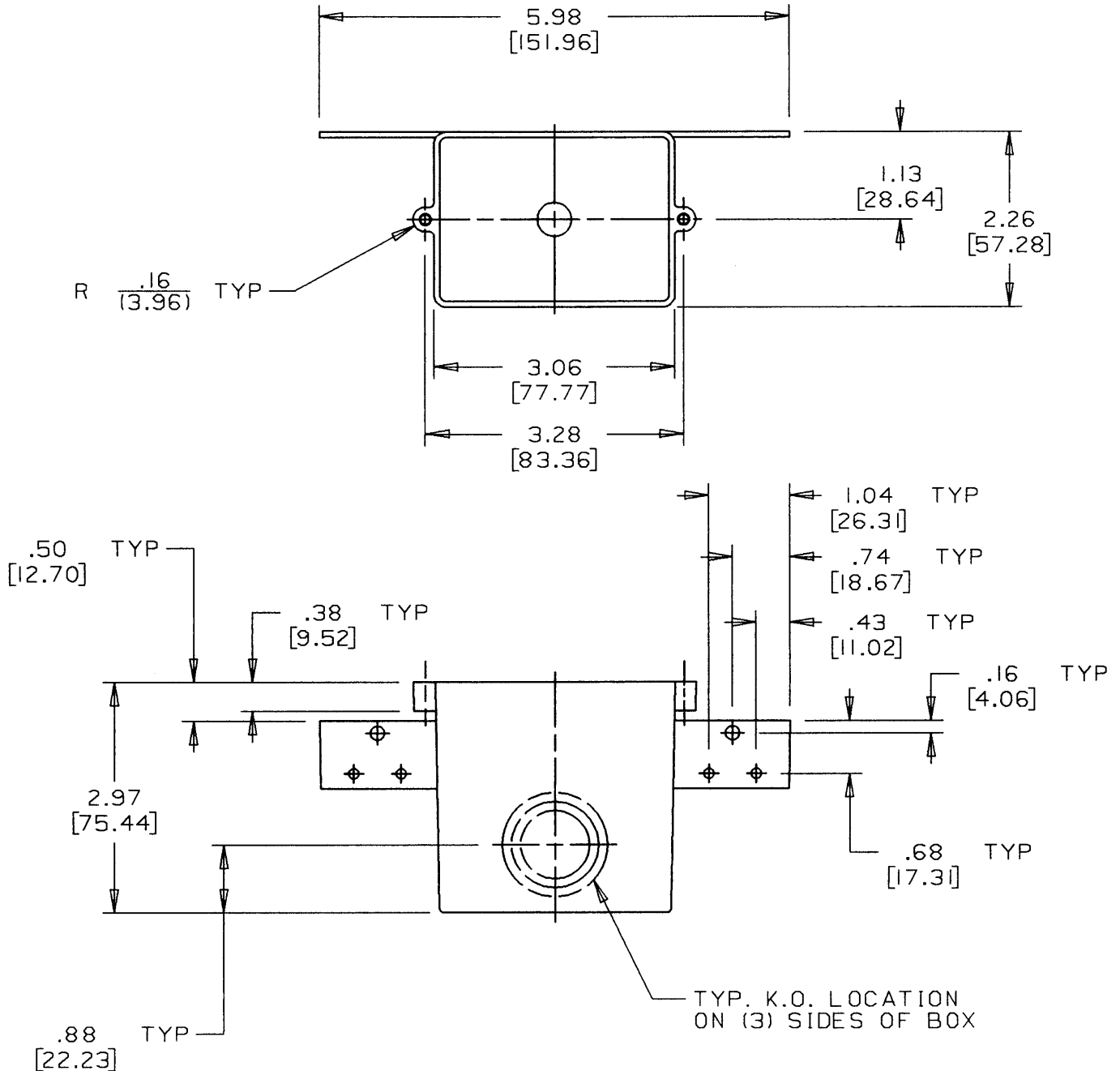
This information provided by:



Gross Automation  
[www.grossautomation.com](http://www.grossautomation.com)

Call Toll Free:  
**800-349-5827**

PART NO.	K.O. SIZE
A5838ID	1/2"
A5838IE	3/4"
A5838IF	1"



TITLE: ENT SINGLE GANG BOX - DEEP

DRN. DATE  
SLK 11-92

PART NO:  
SEE CHART

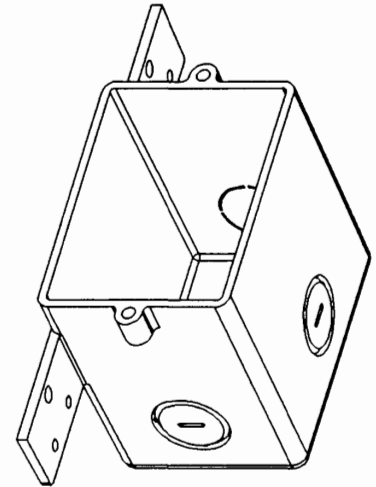
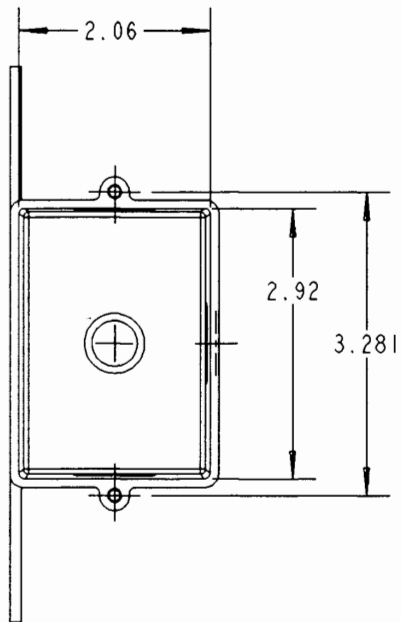
**LAMSON & SESSIONS**

ALL DRAWINGS ARE THE PROPERTY OF LAMSON & SESSIONS AND SHALL NOT BE REPRODUCED IN ANY FORM WITHOUT LAMSON & SESSIONS' APPROVAL AND ARE TO BE PROMPTLY RETURNED UPON REQUEST.

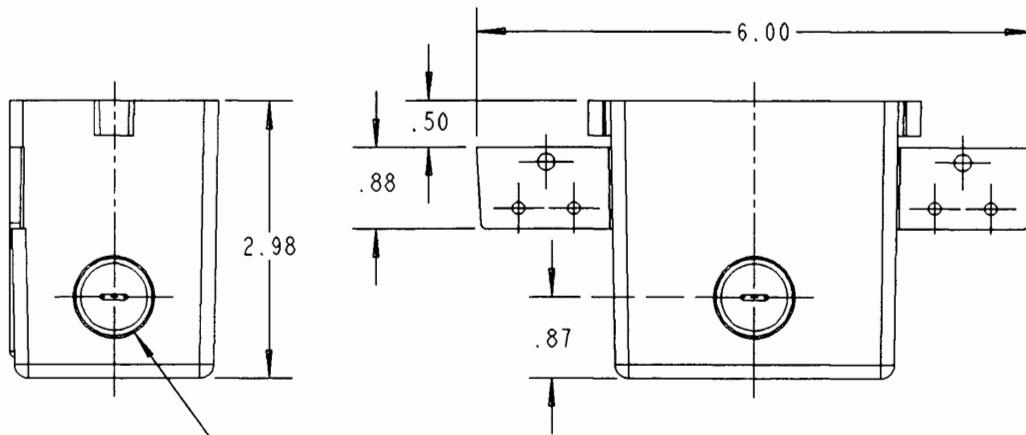
APP. DATE  
DAM

DRAWING NO:  
AC01220

REV.  
A



SCALE 0.500



KNOCKOUTS - 3 PLCS.  
 1/2" - A58381D  
 3/4" - A58381E

TITLE SINGLE GANG DEVICE BOX - ENT KNOCKOUTS		DRN DPR 6-29-04	DATE 6-29-04	PART NO: A58381D/E
LAMSON & SESSIONS	ALL DRAWINGS ARE THE PROPERTY OF LAMSON & SESSIONS AND SHALL NOT BE REPRODUCED IN ANY FORM WITHOUT LAMSON & SESSIONS' APPROVAL AND ARE TO BE PROMPTLY RETURNED UPON REQUEST.	APP	DATE 6/29/04	DRAWING NO: AC04568
				REV.