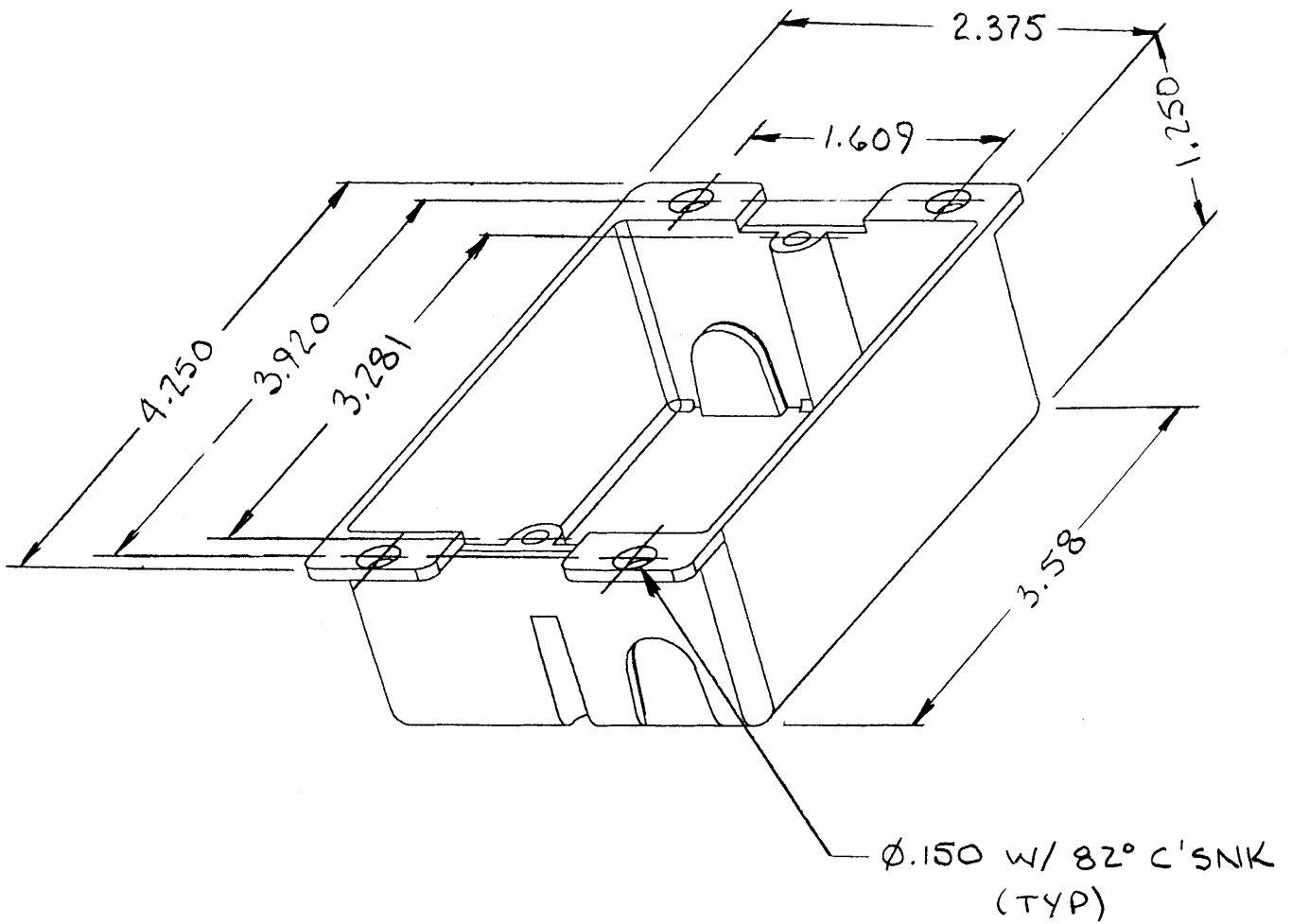


This information provided by:



Gross Automation
www.grossautomation.com

Call Toll Free:
800-349-5827



TITLE SHALLOW WALL BOX W/ FLANGE		DRN RG	DATE 9/22/00	PART NO: B108R
LAMSON & SESSIONS	ALL DRAWINGS ARE THE PROPERTY OF LAMSON & SESSIONS AND SHALL NOT BE REPRODUCED IN ANY FORM WITHOUT LAMSON & SESSIONS' APPROVAL AND ARE TO BE PROMPTLY RETURNED UPON REQUEST.	APP.	DATE	DRAWING NO: AC03834
				REV.