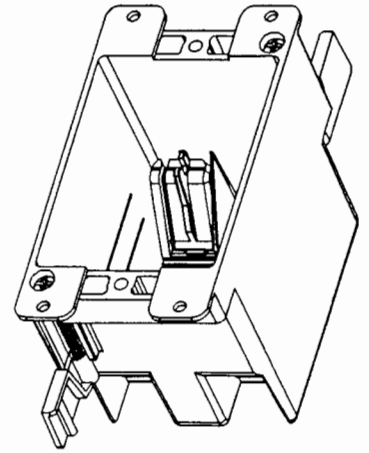
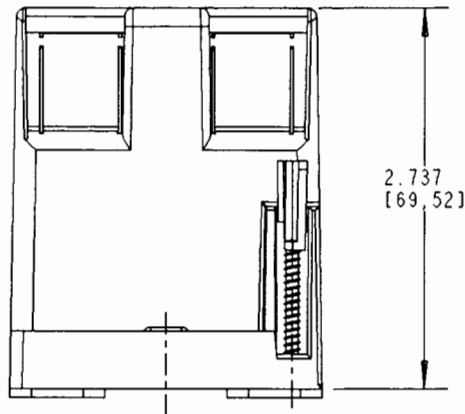


This information provided by:

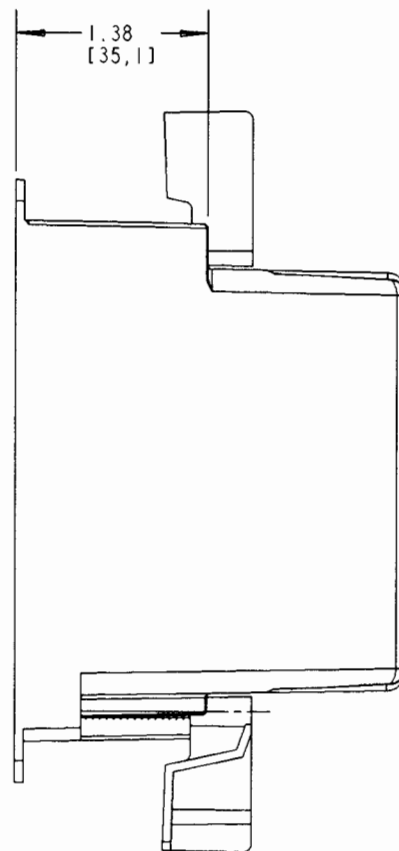
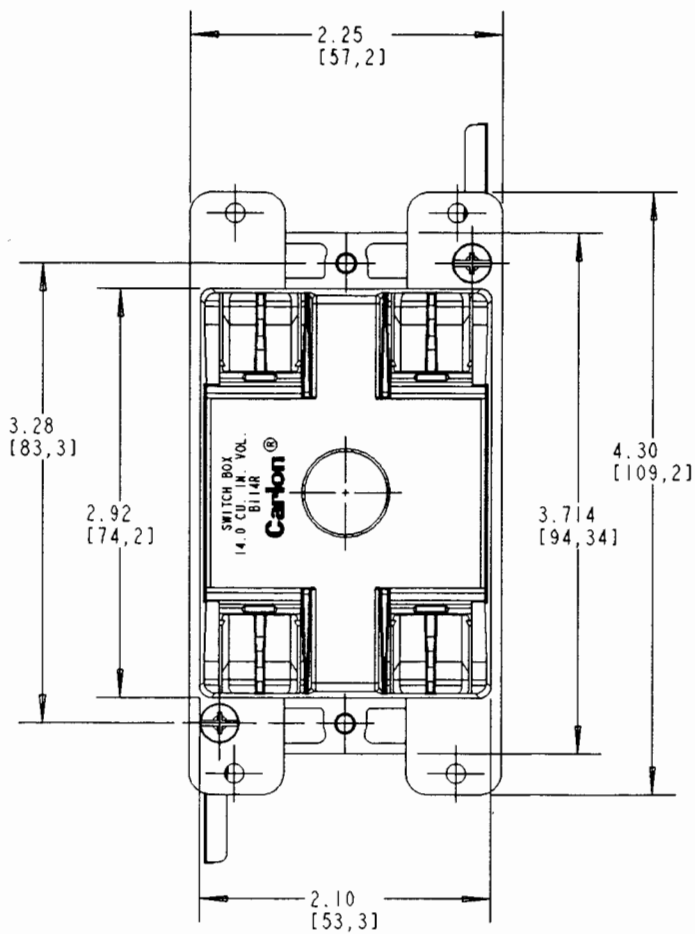


Gross Automation
www.grossautomation.com

Call Toll Free:
800-349-5827



SCALE 0.500



NOTES:

1. (2) #6-20X1-1/2" PAN HEAD SCREWS & SWING CLAMPS INCLUDED.
2. ALL DIMENSIONS ARE IN INCH/MILLIMETERS.

TITLE: 14 CU. IN. VOL. OLD WORK BOX		DRN. DATE: MSC 11-28-94	PART NO.: B114R
LAMSON & SESSIONS	ALL DRAWINGS ARE THE PROPERTY OF LAMSON & SESSIONS AND SHALL NOT BE REPRODUCED IN ANY FORM WITHOUT LAMSON & SESSIONS' APPROVAL AND ARE TO BE PROMPTLY RETURNED UPON REQUEST.	APP. DATE: DW 6-28-96	DRAWING NO.: AC02067
			REV. A