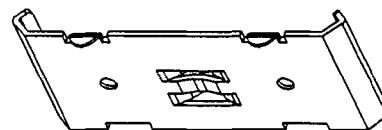
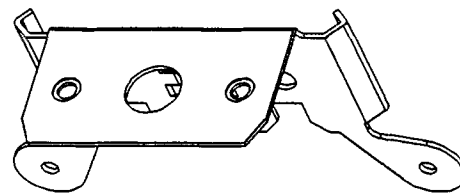
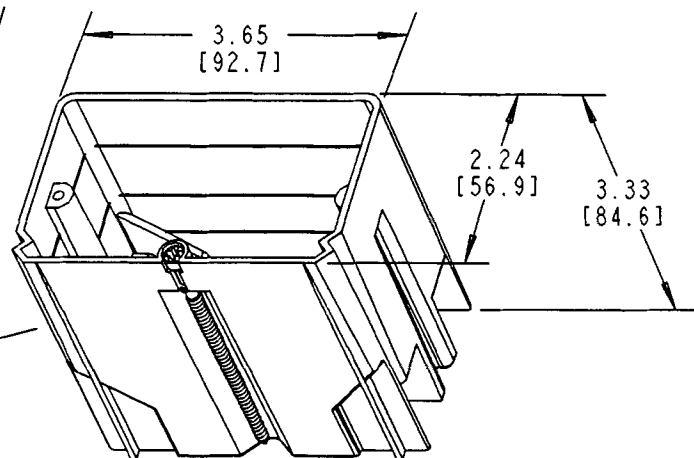
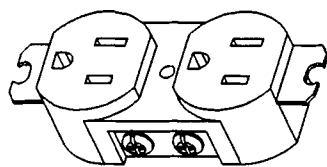
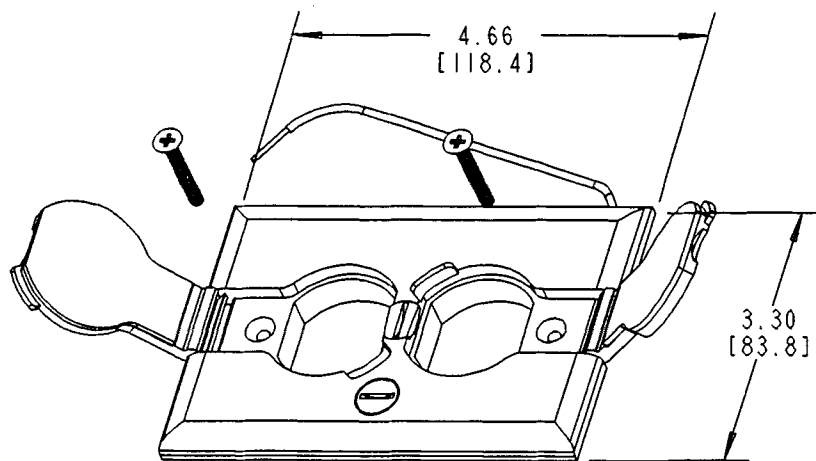


This information provided by:



Gross Automation  
[www.grossautomation.com](http://www.grossautomation.com)

Call Toll Free:  
**800-349-5827**



ADJUSTABLE FLOOR BOX KIT INCLUDES:

- UL LISTED FLOOR BOX COVER  
W/GREEN GROUND WIRE
- DUPLEX RECEPTACLE
- UL LISTED FLOOR BOX
- NEW WORK BRACKET
- OLD WORK BRACKET
- MOUNTING SCREWS
- INSTALLATION INSTRUCTIONS

NOTE: ALL DIMENSIONS ARE IN INCH/MILLIMETERS

TITLE <b>ADJUSTABLE FLOOR BOX KIT - W/BRASS COVER</b>		DRN DPR	DATE 9-17-02	PART NO: <b>B121BFBB</b>		
LAMSON & SESSIONS	ALL DRAWINGS ARE THE PROPERTY OF LAMSON & SESSIONS AND SHALL NOT BE REPRODUCED IN ANY FORM WITHOUT LAMSON & SESSIONS' APPROVAL AND ARE TO BE PROMPTLY RETURNED UPON REQUEST.		APP <i>[Signature]</i>	DATE 9/17/02	DRAWING NO: <b>AC04240</b>	REV.