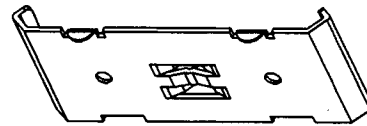
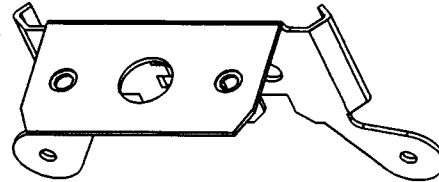
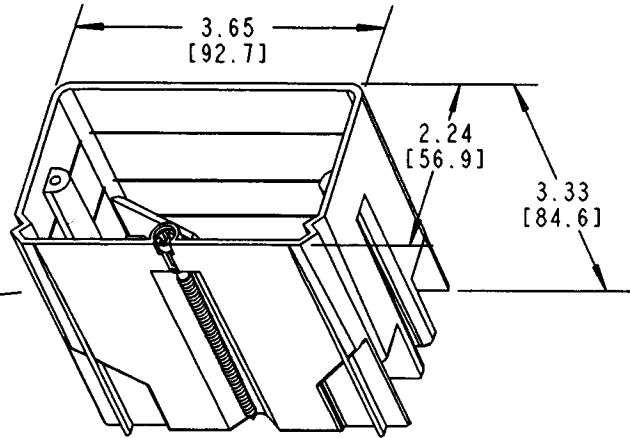
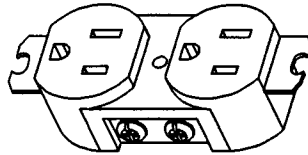
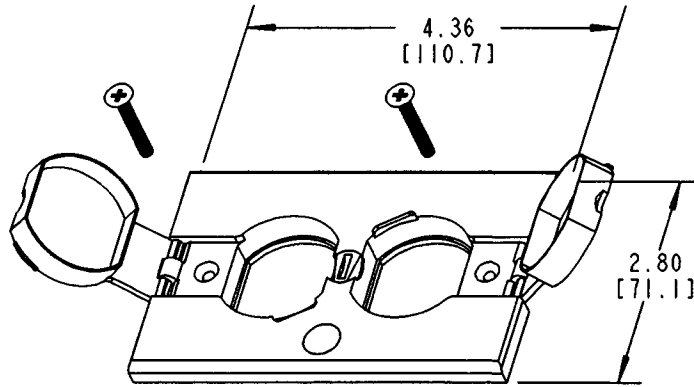


This information provided by:



Gross Automation
www.grossautomation.com

Call Toll Free:
800-349-5827



ADJUSTABLE FLOOR BOX KIT INCLUDES:

- UL LISTED FLOOR BOX COVER
- DUPLEX RECEPTACLE
- UL LISTED FLOOR BOX
- NEW WORK BRACKET
- OLD WORK BRACKET
- MOUNTING SCREWS
- INSTALLATION INSTRUCTIONS

| | |
|-----------|----------------------------|
| B121BFBR | ADJ. FLOOR BOX KIT - BEIGE |
| B121BFBRW | ADJ. FLOOR BOX KIT - WHITE |
| PART NO. | DESCRIPTION |

NOTE: ALL DIMENSIONS ARE IN INCH/MILLIMETERS

TITLE ADJUSTABLE FLOOR BOX KIT - W/NON-METALLIC COVER

DRN. DATE
DPR 9-17-02

PART NO.: SEE CHART

LAMSON & SESSIONS

ALL DRAWINGS ARE THE PROPERTY OF LAMSON & SESSIONS AND SHALL NOT BE REPRODUCED IN ANY FORM WITHOUT LAMSON & SESSIONS' APPROVAL AND ARE TO BE PROMPTLY RETURNED UPON REQUEST.

APP. DATE
EGH 9-18-02

DRAWING NO.: AC04239

REV. A