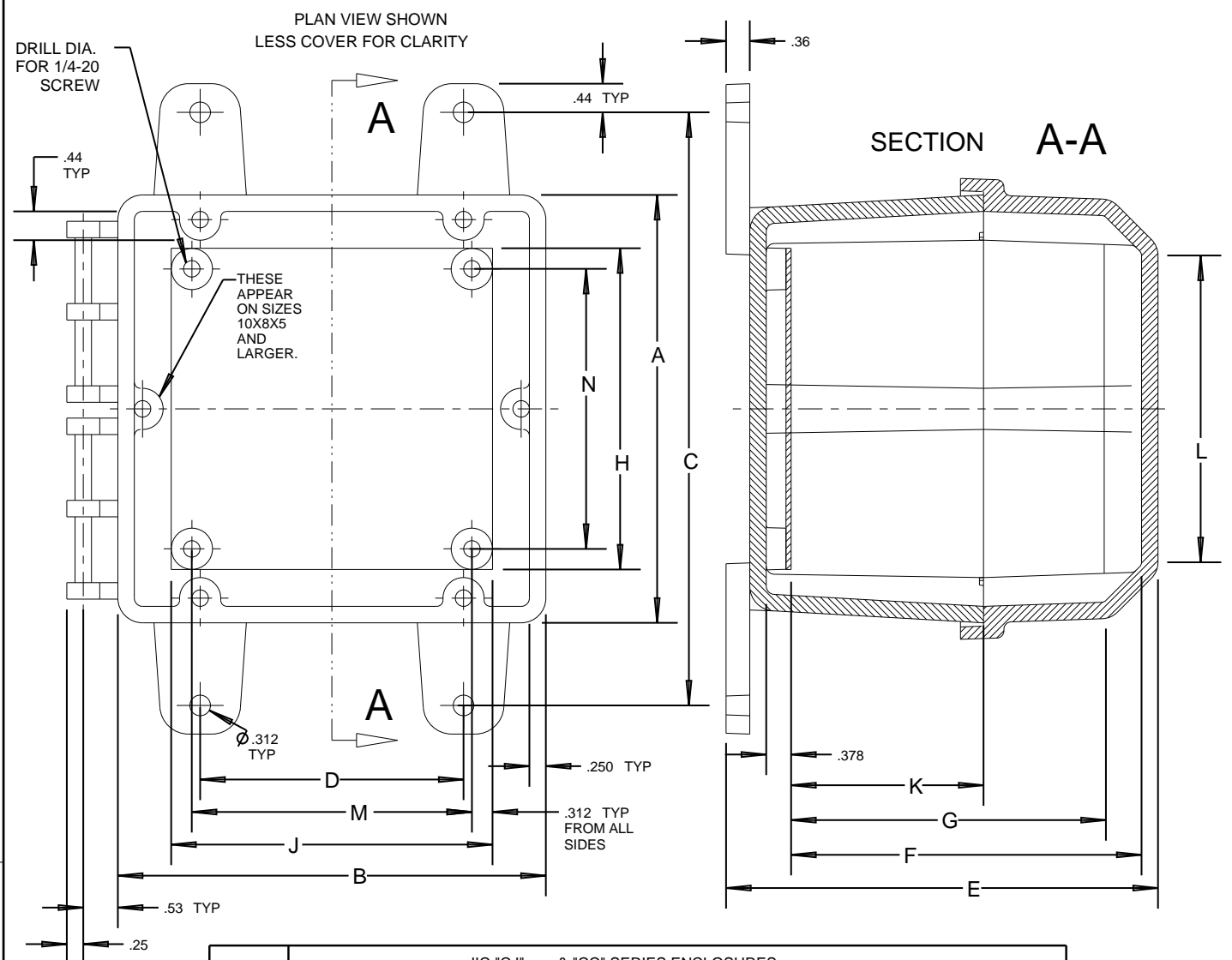


This information provided by:



Gross Automation
www.grossautomation.com

Call Toll Free:
800-349-5827



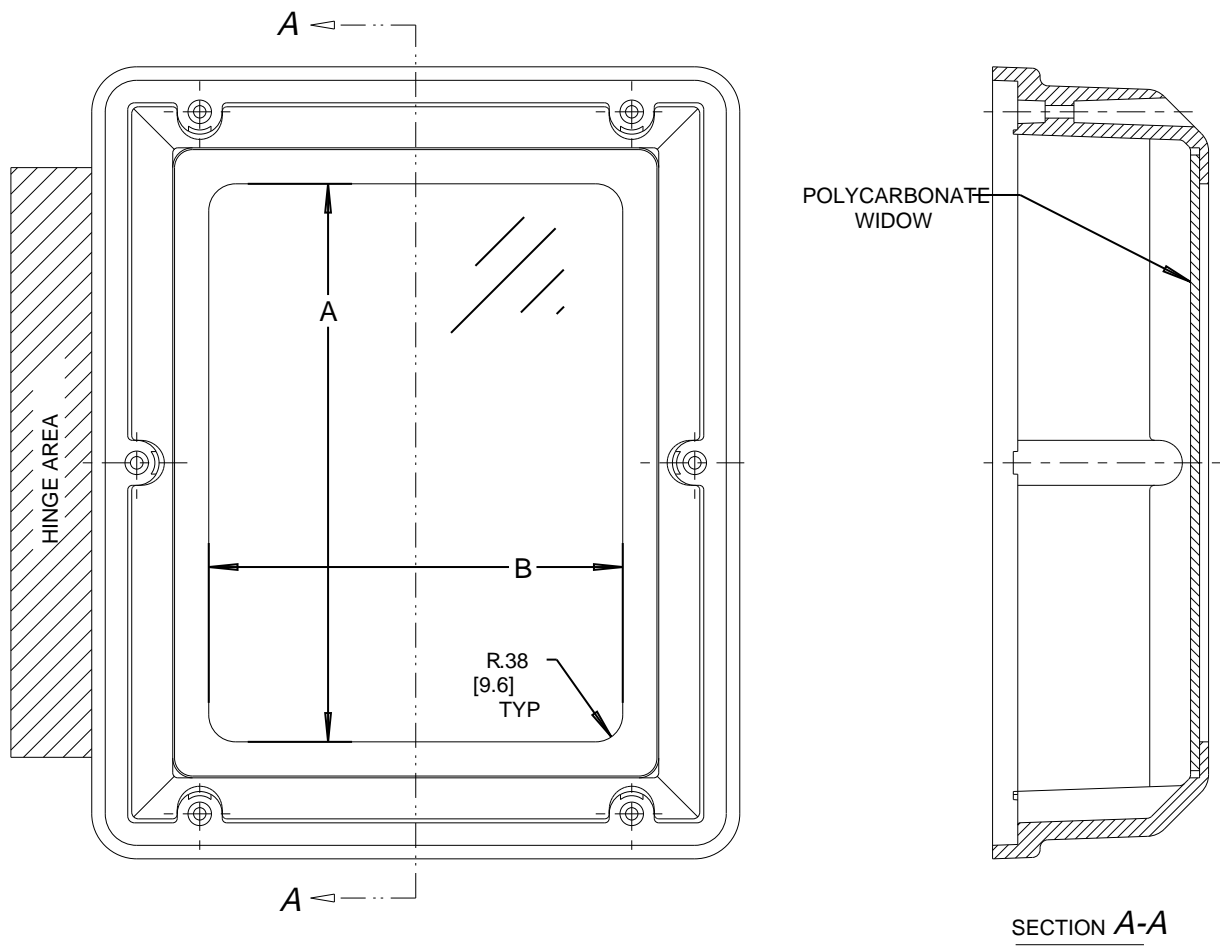
SIZE	JIC "CJ" & "CC" SERIES ENCLOSURES								
	A	B	C	D	E	F	G	K	L
6X6X5	6.50 (165.1)	6.50 (165.1)	9.00 (228.6)	4.00 (101.6)	6.69 (169.9)	5.45 (138.4)	5.00 (127.0)	2.92 (74.2)	4.66 (118.4)
8X6X3	8.50 (215.9)	6.50 (165.1)	11.00 (279.4)	4.00 (101.6)	4.49 (114.0)	3.25 (82.6)	2.79 (70.9)	1.92 (48.8)	6.74 (171.3)
10X8X5	10.50 (266.7)	8.50 (215.9)	13.00 (330.2)	6.00 (152.4)	6.69 (169.9)	5.45 (138.4)	5.00 (127.0)	2.92 (74.2)	8.66 (230.0)
12X10X6	12.50 (317.5)	10.50 (266.7)	15.00 (381.0)	8.00 (203.2)	7.69 (195.3)	6.45 (163.8)	6.00 (152.4)	3.92 (99.6)	10.66 (270.8)
14X12X6	14.50 (368.3)	12.50 (317.5)	17.00 (431.8)	10.00 (254.0)	7.72 (196.1)	6.48 (164.6)	6.02 (152.9)	4.92 (125.0)	12.73 (323.3)
16X14X7	16.50 (419.1)	14.50 (368.3)	19.00 (482.6)	12.00 (304.8)	8.46 (214.9)	7.22 (183.4)	6.76 (171.7)	4.94 (125.5)	14.68 (377.8)

BACK PANEL (THICKNESS = 14GA)				P/N
H	J	M	N	
4.88 (124.0)	4.88 (124.0)	4.26 (108.1)	4.26 (108.1)	JP66
6.75 (171.5)	4.88 (124.0)	4.26 (108.1)	6.13 (155.6)	JP86
8.75 (222.3)	6.88 (174.8)	6.26 (158.9)	8.13 (206.4)	JP108

BACK PANEL (THICKNESS = 14GA)				P/N
H	J	M	N	
10.75 (273.1)	8.88 (225.6)	8.26 (209.7)	10.13 (257.2)	JP1210
12.75 (323.9)	10.88 (276.4)	10.26 (260.5)	12.13 (308.0)	JP1412
14.75 (374.7)	12.88 (327.2)	12.26 (311.3)	14.13 (358.8)	JP1614

- NOTES:
 1. ALL DIMENSIONS ARE IN INCH/MILLIMETERS.
 2. PART NUMBER INCLUDES BASE, COVER AND MOUNTING FEET.

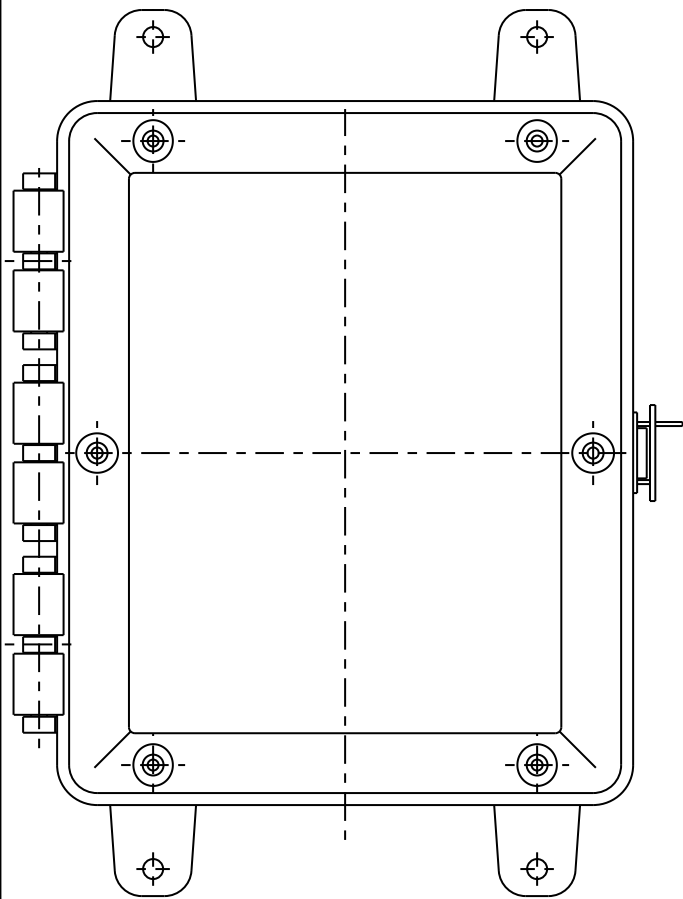
TITLE: MOUNTING DIMENSIONS - JIC ENCLOSURES		DRN. DATE RG 12-8-93	PART NO.: SEE CHART	
LAMSON & SESSIONS	ALL DRAWINGS ARE THE PROPERTY OF LAMSON & SESSIONS AND SHALL NOT BE REPRODUCED IN ANY FORM WITHOUT LAMSON & SESSIONS' APPROVAL AND ARE TO BE PROMPTLY RETURNED UPON REQUEST	APP. DATE KEF 1-12-94	DRAWING NO.: AC01610	REV. D
		SHT 1 OF 3		



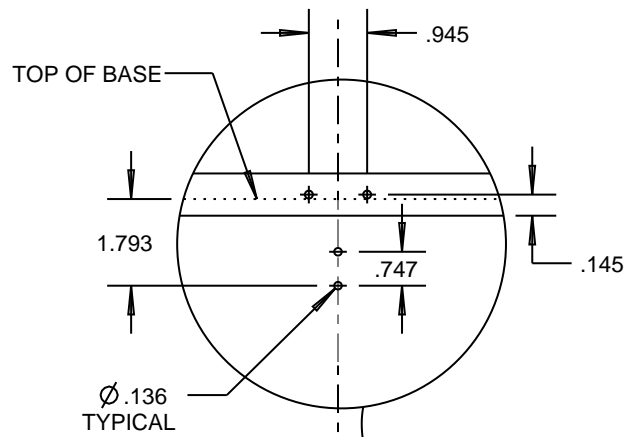
ENCLOSURE PART NUMBER	WINDOW OPENING	
	A	B
J16147W	13.75 [349.3]	11.75 [298.5]
J14126W	11.75 [298.5]	9.75 [247.7]
J12106W	9.75 [247.7]	7.75 [196.9]
J1085W	7.75 [196.9]	5.75 [146.1]
J863W	3.75 [95.3]	3.75 [95.3]
J665W	3.75 [95.3]	3.75 [95.3]

NOTE:
1. PART NUMBER INCLUDES BASE, MODIFIED OPAQUE COVER WITH POLYCARBONATE WINDOW AND MOUNTING FEET.

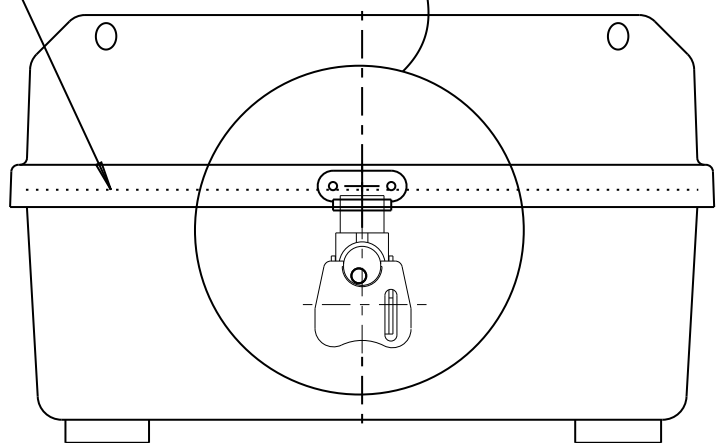
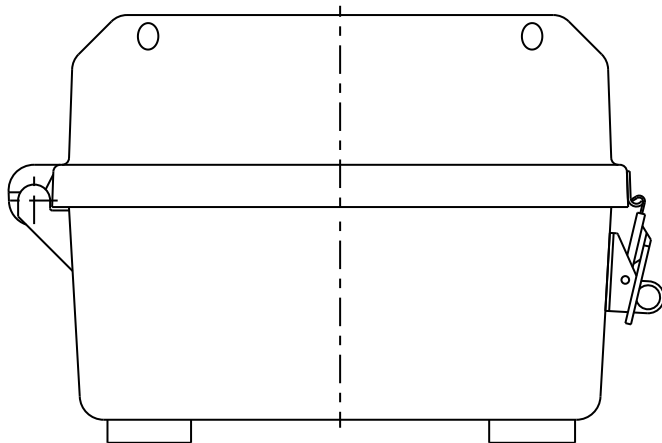
TITLE: JIC ENCLOSURE WITH WINDOW		DRN. DATE DPR 3-28-06	PART NO.: SEE CHART
	ALL DRAWINGS ARE THE PROPERTY OF LAMSON & SESSIONS AND SHALL NOT BE REPRODUCED IN ANY FORM WITHOUT LAMSON & SESSIONS' APPROVAL AND ARE TO BE PROMPTLY RETURNED UPON REQUEST.	APP. DATE	DRAWING NO.: AC01610
			SHT 2 OF 3



CJTL
MOUNTING
DIMENSIONS



TOP OF BASE



TITLE: MOUNTING DIMENSIONS - JIC ENCLOSURES		DRN. DATE RG 3/19/07	PART NO.: SEE CHART	
LAMSON & SESSIONS	ALL DRAWINGS ARE THE PROPERTY OF LAMSON & SESSIONS AND SHALL NOT BE REPRODUCED IN ANY FORM WITHOUT LAMSON & SESSIONS' APPROVAL AND ARE TO BE PROMPTLY RETURNED UPON REQUEST	APP. DATE GT 3/19/07	DRAWING NO.: AC01610 SHT 3 OF 3	REV. D