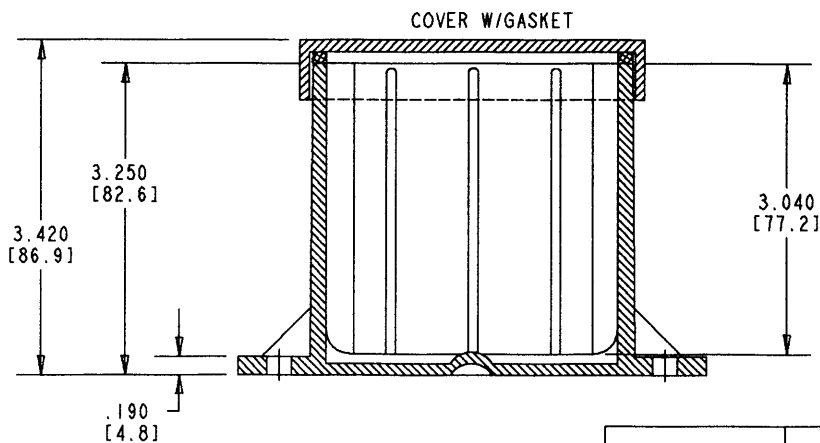
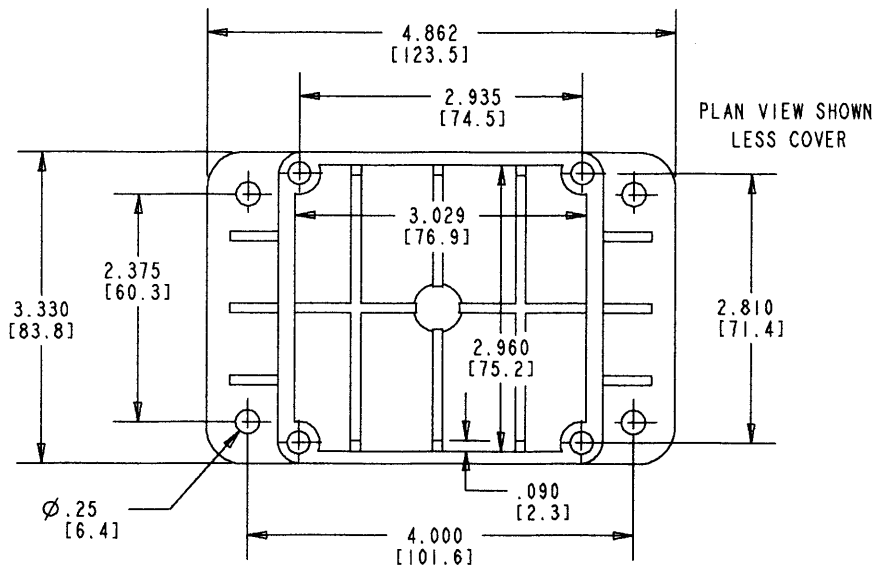
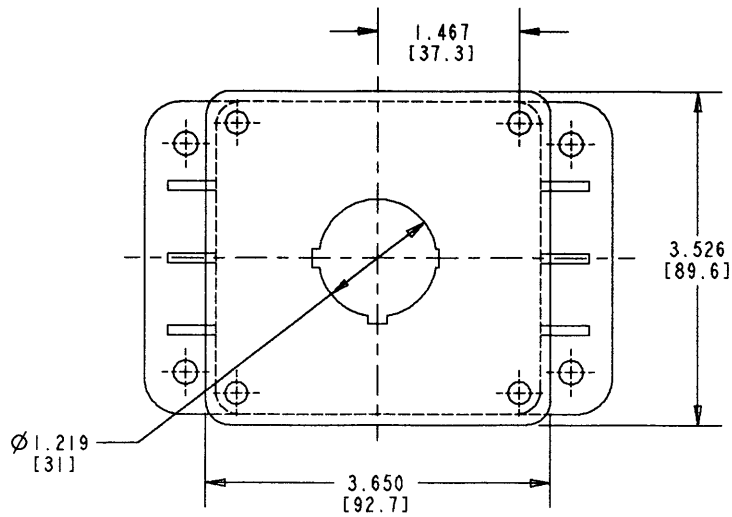


This information provided by:



Gross Automation
www.grossautomation.com

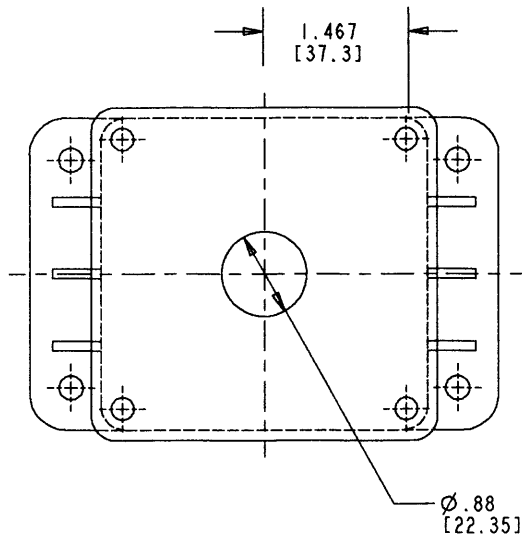
Call Toll Free:
800-349-5827



PART NO.	DESCRIPTION
CP100N	ONE BUTTON
CP100NB	BLANK COVER

DIMENSIONS ARE IN INCHES/MILLIMETERS

TITLE PUSH BUTTON ENCLOSURE		DRN DPR	DATE 1-27-94	PART NO: SEE CHART	
LAMSON & SESSIONS	ALL DRAWINGS ARE THE PROPERTY OF LAMSON & SESSIONS AND SHALL NOT BE REPRODUCED IN ANY FORM WITHOUT LAMSON & SESSIONS' APPROVAL AND ARE TO BE PROMPTLY RETURNED UPON REQUEST.	APP.	DATE	DRAWING NO:	REV.
		AG	7-16-96	AC01670 SHT. 1 OF 2	B



P/N PX0010

TITLE: PUSH BUTTON ENCLOSURE		DRN. DATE	PART NO.:	
LAMSON & SESSIONS	ALL DRAWINGS ARE THE PROPERTY OF LAMSON & SESSIONS AND SHALL NOT BE REPRODUCED IN ANY FORM WITHOUT LAMSON & SESSIONS' APPROVAL AND ARE TO BE PROMPTLY RETURNED UPON REQUEST.	DPR 1-27-94	SEE ABOVE	
		APP. DATE		DRAWING NO.:
			AC01670	B
			SHT. 2 OF 2	