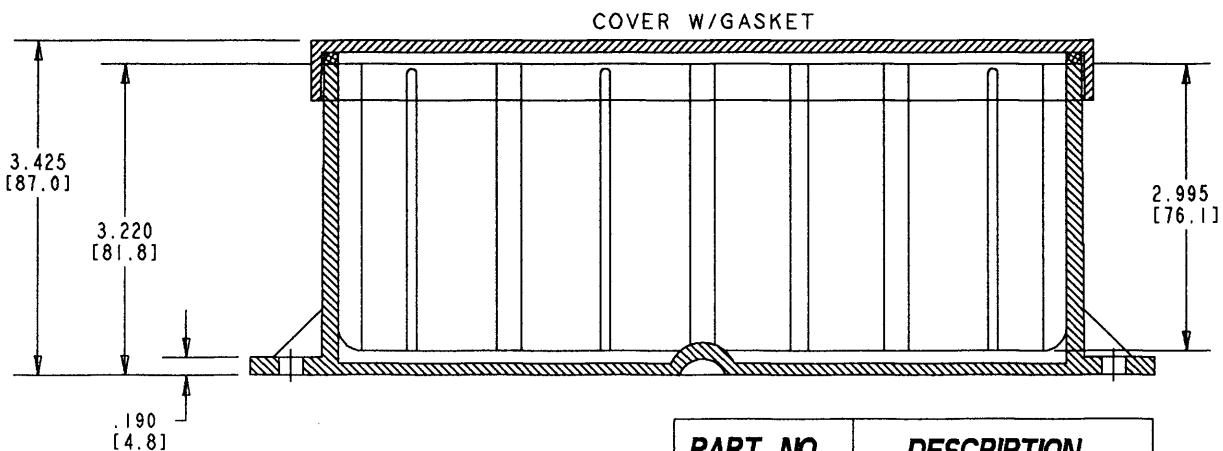
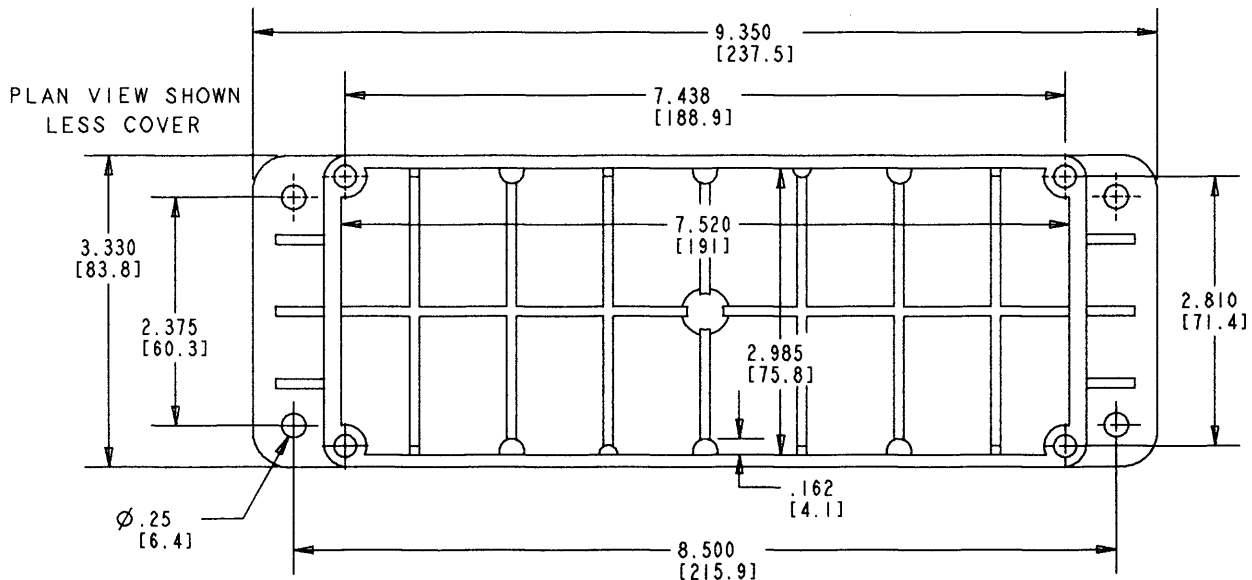
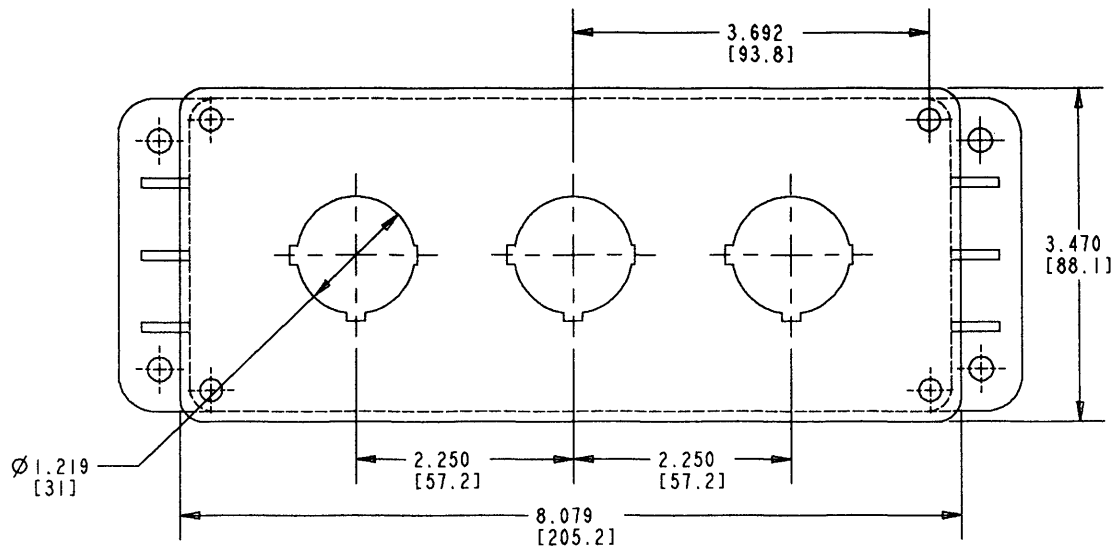


This information provided by:



Gross Automation
www.grossautomation.com

Call Toll Free:
800-349-5827

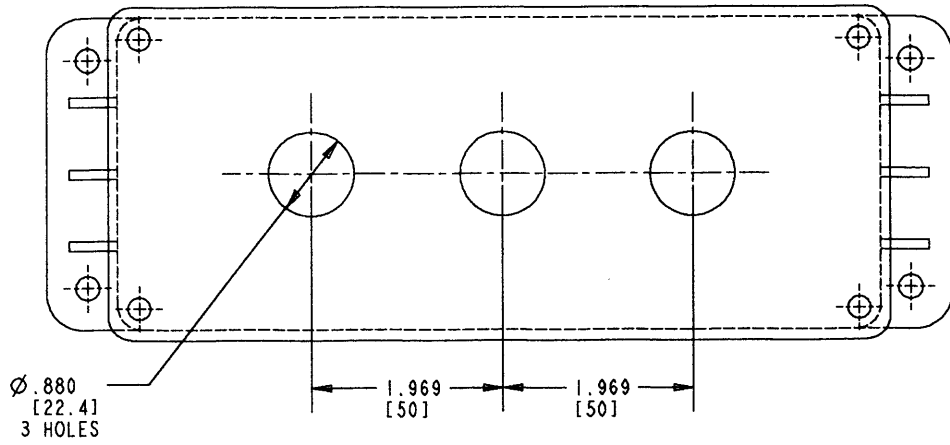


PART NO.	DESCRIPTION
CP300N	THREE BUTTON
CP300NB	BLANK COVER

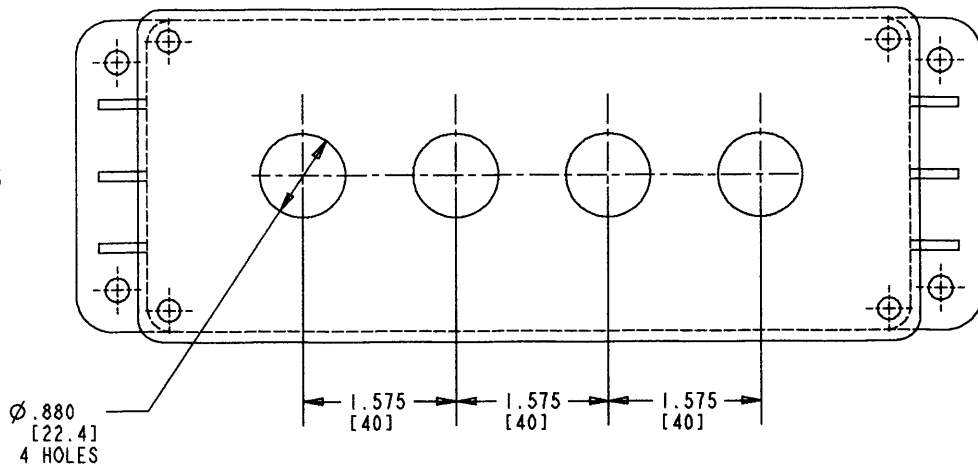
DIMENSIONS ARE IN INCHES/MILLIMETERS

TITLE PUSH BUTTON ENCLOSURE		DRN DPR	DATE 1-27-94	PART NO.:	SEE CHART	
LAMSON & SESSIONS	ALL DRAWINGS ARE THE PROPERTY OF LAMSON & SESSIONS AND SHALL NOT BE REPRODUCED IN ANY FORM WITHOUT LAMSON & SESSIONS' APPROVAL AND ARE TO BE PROMPTLY RETURNED UPON REQUEST.	APP.	DATE	DRAWING NO.:	AC01672	REV.
		AG	3-8-94		SHT. 1 OF 2	A

P/N PX0011



P/N PX0008



TITLE PUSH BUTTON ENCLOSURE

DRN DATE
DPR 10-3-98

PART NO: SEE ABOVE

LAMSON & SESSIONS

ALL DRAWINGS ARE THE PROPERTY OF LAMSON & SESSIONS AND SHALL NOT BE REPRODUCED IN ANY FORM WITHOUT LAMSON & SESSIONS' APPROVAL AND ARE TO BE PROMPTLY RETURNED UPON REQUEST.

APP. DATE

DRAWING NO: AC01672
SHT. 2 OF 2

REV. A