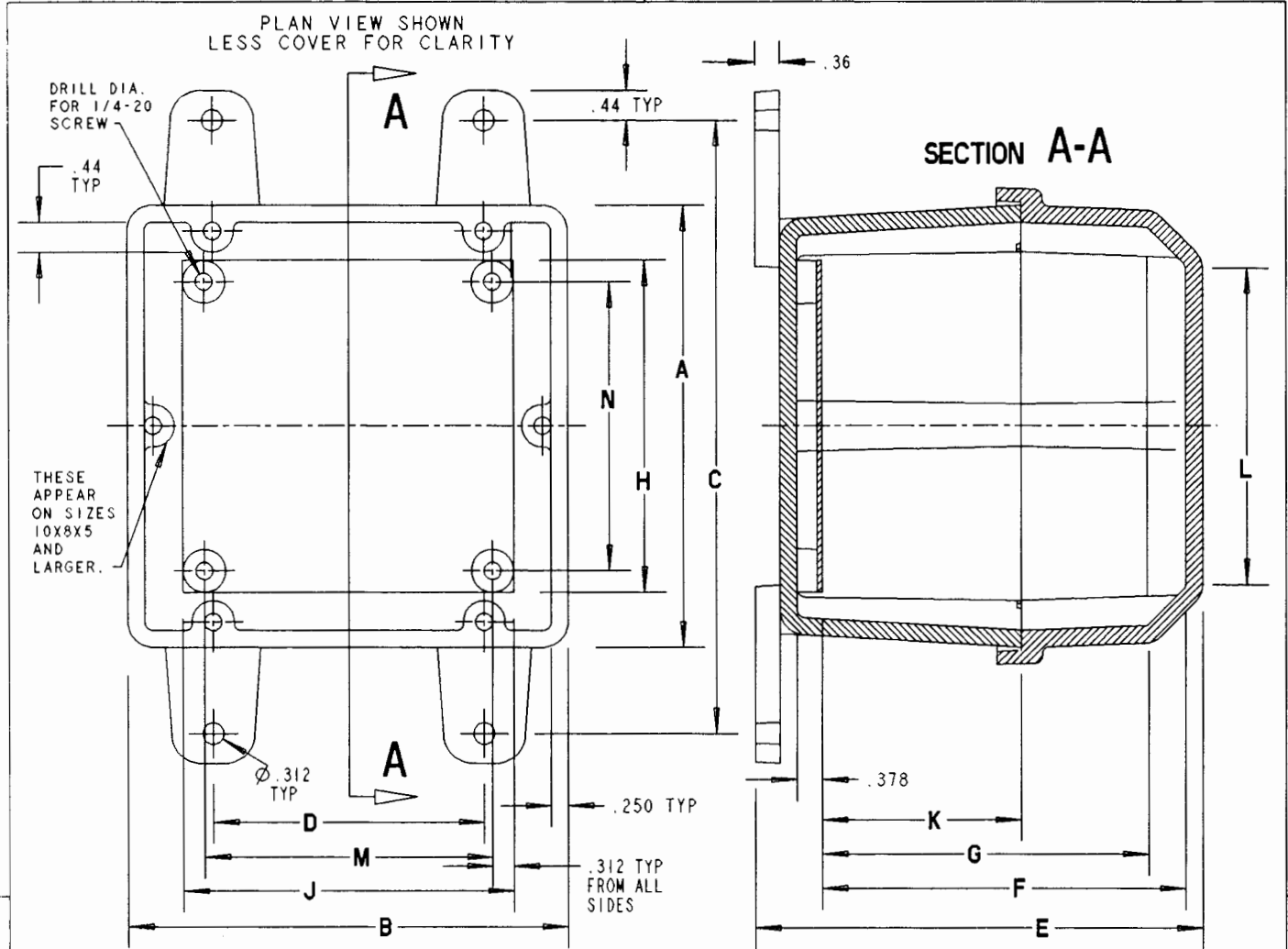


This information provided by:



Gross Automation  
[www.grossautomation.com](http://www.grossautomation.com)

Call Toll Free:  
**800-349-5827**



| SIZE    | JIC "CV" & "CS" SERIES ENCLOSURES |                  |                  |                  |                 |                 |                 |                 |                  |
|---------|-----------------------------------|------------------|------------------|------------------|-----------------|-----------------|-----------------|-----------------|------------------|
|         | A                                 | B                | C                | D                | E               | F               | G               | K               | L                |
| 6X6X5   | 6.50<br>(165.1)                   | 6.50<br>(165.1)  | 9.00<br>(228.6)  | 4.00<br>(101.6)  | 6.69<br>(169.9) | 5.45<br>(138.4) | 5.00<br>(127.0) | 2.92<br>(74.2)  | 4.66<br>(118.4)  |
| 8X8X3   | 8.50<br>(215.9)                   | 6.50<br>(165.1)  | 11.00<br>(279.4) | 4.00<br>(101.6)  | 4.49<br>(114.0) | 3.25<br>(82.6)  | 2.79<br>(70.9)  | 1.92<br>(48.8)  | 6.74<br>(171.3)  |
| 10X8X5  | 10.50<br>(266.7)                  | 8.50<br>(215.9)  | 13.00<br>(330.2) | 6.00<br>(152.4)  | 6.69<br>(169.9) | 5.45<br>(138.4) | 5.00<br>(127.0) | 2.92<br>(74.2)  | 8.66<br>(230.0)  |
| 12X10X6 | 12.50<br>(317.5)                  | 10.50<br>(266.7) | 15.00<br>(381.0) | 8.00<br>(203.2)  | 7.69<br>(195.3) | 6.45<br>(163.8) | 6.00<br>(152.4) | 3.92<br>(99.6)  | 10.66<br>(270.8) |
| 14X12X6 | 14.50<br>(368.3)                  | 12.50<br>(317.5) | 17.00<br>(431.8) | 10.00<br>(254.0) | 7.72<br>(196.1) | 6.48<br>(164.6) | 6.02<br>(152.9) | 4.92<br>(125.0) | 12.73<br>(323.3) |
| 16X14X7 | 16.50<br>(419.1)                  | 14.50<br>(368.3) | 19.00<br>(482.6) | 12.00<br>(304.8) | 8.46<br>(214.9) | 7.22<br>(183.4) | 6.76<br>(171.7) | 4.94<br>(125.5) | 14.68<br>(377.8) |

| BACK PANEL (THICKNESS = 14GA) |                 |                 |                 | P/N   |
|-------------------------------|-----------------|-----------------|-----------------|-------|
| H                             | J               | M               | N               |       |
| 4.88<br>(124.0)               | 4.88<br>(124.0) | 4.26<br>(108.1) | 4.26<br>(108.1) | JP66  |
| 6.75<br>(171.5)               | 4.88<br>(124.0) | 4.26<br>(108.1) | 6.13<br>(155.6) | JP86  |
| 8.75<br>(222.3)               | 6.88<br>(174.8) | 6.26<br>(158.9) | 8.13<br>(206.4) | JP108 |

| BACK PANEL (THICKNESS = 14GA) |                  |                  |                  | P/N    |
|-------------------------------|------------------|------------------|------------------|--------|
| H                             | J                | M                | N                |        |
| 10.75<br>(273.1)              | 8.88<br>(225.6)  | 8.26<br>(209.7)  | 10.13<br>(257.2) | JP1210 |
| 12.75<br>(323.9)              | 10.88<br>(276.4) | 10.26<br>(260.5) | 12.13<br>(308.0) | JP1412 |
| 14.75<br>(374.7)              | 12.88<br>(327.2) | 12.26<br>(311.3) | 14.13<br>(358.8) | JP1614 |

NOTE:  
DIMENSIONS  
READ IN/MM

|   |  |             |                  |                                |           |
|---|--|-------------|------------------|--------------------------------|-----------|
| TITLE MOUNTING DIMENSIONS - JIC ENCLOSURES - NO HINGE |  | DRN<br>RG   | DATE<br>12/13/93 | PART NO:<br>"CV" & "CS" SERIES |           |
| LAMSON & SESSIONS                                     | ALL DRAWINGS ARE THE PROPERTY OF LAMSON & SESSIONS AND SHALL NOT BE REPRODUCED IN ANY FORM WITHOUT LAMSON & SESSIONS' APPROVAL AND ARE TO BE PROMPTLY RETURNED UPON REQUEST. | APP.<br>KEF | DATE<br>1/12/94  | DRAWING NO:<br>AC01614         | REV.<br>B |