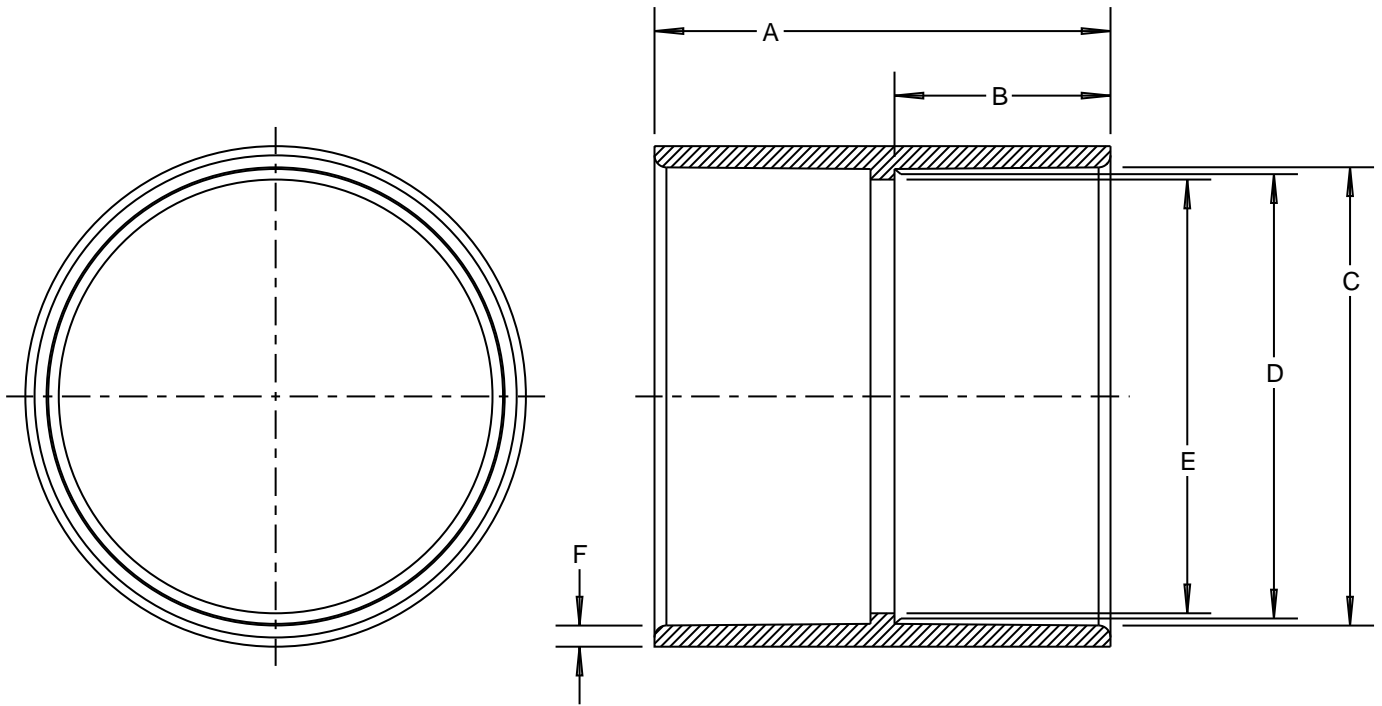


This information provided by:



Gross Automation
www.grossautomation.com

Call Toll Free:
800-349-5827



SIZE	PART NO	A	B	C	D	E	F
1"	E240F	2.00 [50,8]	.94 [23,8]	1.33 [33,7]	1.31 [33,3]	1.20 [30,5]	.07 [1,8]
1-1/4"	E240G	2.00 [50,8]	.94 [23,8]	1.67 [42,4]	1.66 [42,0]	1.54 [39,2]	.08 [2,0]
1-1/2"	E240H	2.25 [57,1]	1.06 [27,0]	1.91 [48,6]	1.89 [48,0]	1.78 [45,2]	.09 [2,3]
2"	E240J	2.38 [60,3]	1.13 [28,6]	2.38 [60,6]	2.37 [60,2]	2.26 [57,4]	.11 [2,8]
2-1/2"	E240K	3.38 [85,7]	1.63 [41,3]	2.89 [73,4]	2.87 [72,8]	2.75 [69,8]	.12 [3,0]
3"	E240L	3.38 [85,7]	1.63 [41,3]	3.52 [89,3]	3.50 [89,0]	3.35 [85,1]	.13 [3,2]
3-1/2"	E240M	3.56 [90,5]	1.72 [43,7]	4.02 [102,0]	3.99 [101,4]	3.84 [97,6]	.14 [3,6]
4"	E240N	3.69 [93,6]	1.78 [45,2]	4.52 [114,7]	4.49 [114,1]	4.31 [109,5]	.16 [4,1]
5"	E240P	4.09 [104,0]	1.97 [50,0]	5.59 [142,1]	5.55 [141,0]	5.36 [136,2]	.18 [4,6]
6"	E240R	4.49 [113,5]	2.16 [54,8]	6.66 [169,1]	6.61 [168,0]	6.37 [161,9]	.19 [4,8]

NOTES:

1. ALL DIMENSIONS ARE IN INCH/MILLIMETERS.
2. MATERIAL: PVC

TITLE: P & C COUPLINGS		DRN. DATE RG 5/5/06	PART NO.: SEE CHART	
LAMSON & SESSIONS	ALL DRAWINGS ARE THE PROPERTY OF LAMSON & SESSIONS AND SHALL NOT BE REPRODUCED IN ANY FORM WITHOUT LAMSON & SESSIONS' APPROVAL AND ARE TO BE PROMPTLY RETURNED UPON REQUEST	APP. DATE DK 5/5/06	DRAWING NO.: AC04879	
			REV.	