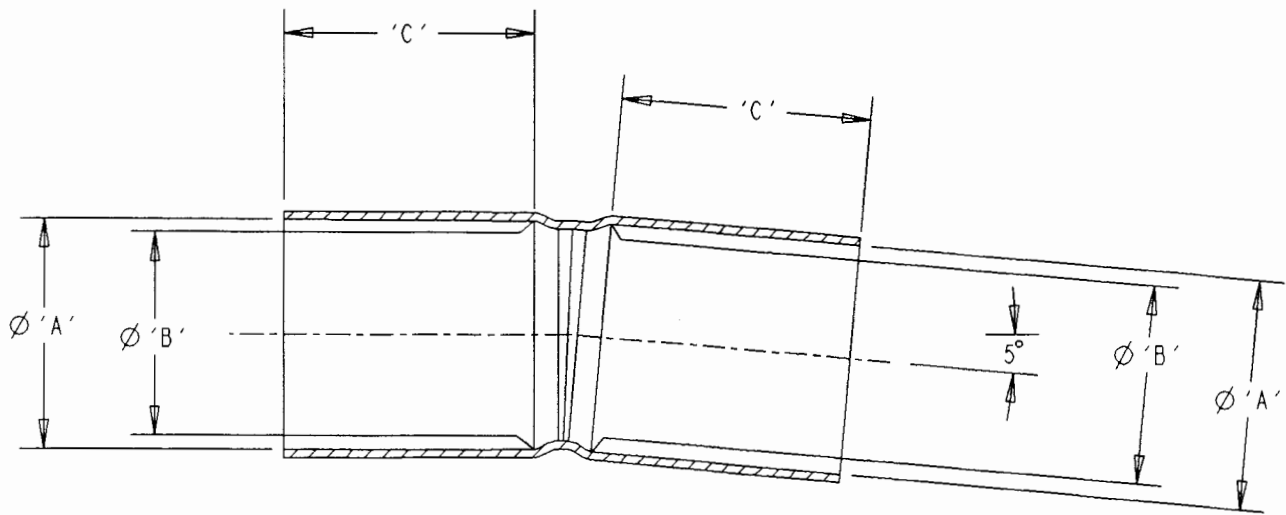


This information provided by:



Gross Automation
www.grossautomation.com

Call Toll Free:
800-349-5827



PART NO.	NOMINAL PIPE SIZE	* CUT LENGTH	DIA 'A'	DIA 'B'	DIM 'C'	WALL THICKNESS 'W'
E2440NF	4"	8-1/2"	4.54	4.51	3.50	.136
E2440PF	5"	10-1/2"	5.61	5.57	4.13	.167
E2440RF	6"	11-3/4"	6.69	6.64	5.13	.197
E245J	2"	7"	2.40	2.38	1.88	.092
E245L	3"	8"	3.54	3.51	3.00	.107
E245N	4"	8-1/2"	4.54	4.51	3.50	.136
E245P	5"	10"	5.61	5.57	4.13	.167
E914NF	4"	7-1/2"	4.38	4.36	3.13	.147
E245R	6"	11-3/4"	6.69	6.64	5.13	.197

* - BEFORE SWEDGING

TITLE: THERMOFORMED 5° ANGLED COUPLING - SOCKET/SOCKET		DRN RG	DATE 9/9/04	PART NO: SEE CHART
LAMSON & SESSIONS	ALL DRAWINGS ARE THE PROPERTY OF LAMSON & SESSIONS AND SHALL NOT BE REPRODUCED IN ANY FORM WITHOUT LAMSON & SESSIONS' APPROVAL AND ARE TO BE PROMPTLY RETURNED UPON REQUEST.	APP <i>[Signature]</i>	DATE 7/10/04	DRAWING NO: AC04613
				REV.