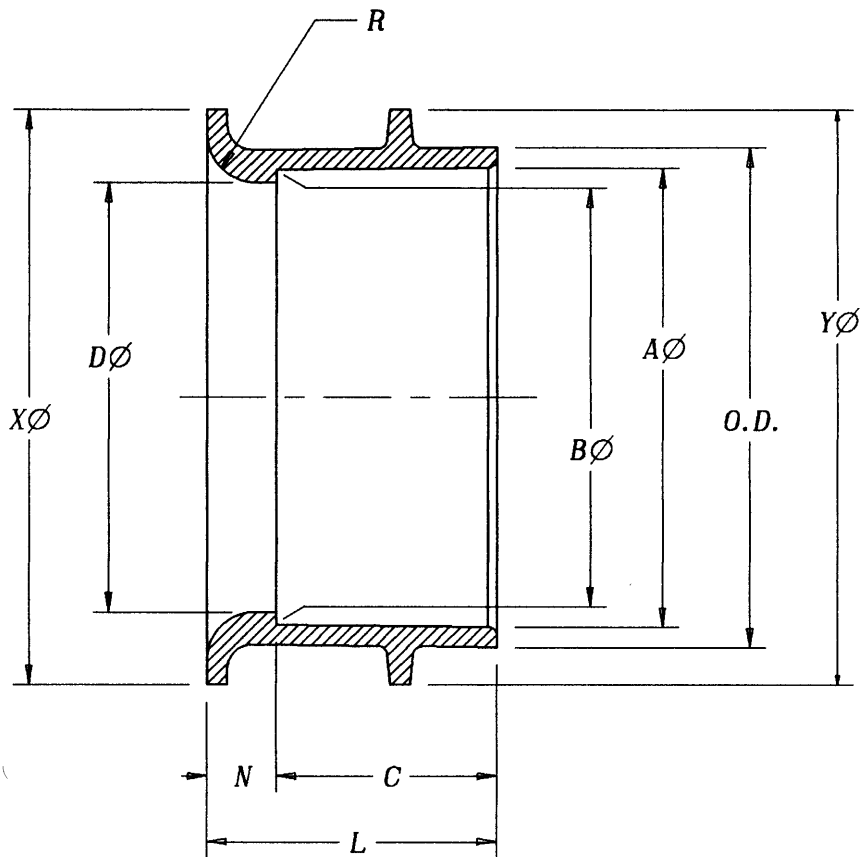


This information provided by:



Gross Automation
www.grossautomation.com

Call Toll Free:
800-349-5827



NOTE:
ALL DIMENSIONS ARE IN INCHES AND MILLIMETERS.

PART NO.	SIZE	A	B	D	O.D.	X	Y	C	N	L	R
E297J	2"	2.393 [60.8]	2.369 [60.2]	2.236 [56.8]	2.603 [66.1]	3.00 [76.2]	3.00 [76.2]	1.141 [28.9]	.359 [9.1]	1.50 [38.1]	.25 [6.4]
E297L	3"	3.515 [89.3]	3.492 [88.7]	3.357 [85.3]	3.685 [93.6]	4.09 [103.9]	4.09 [103.9]	1.61 [40.9]	.39 [9.9]	2.00 [50.8]	.25 [6.4]
E297M	3-1/2"	4.015 [102.0]	3.992 [101.4]	3.835 [97.4]	4.215 [107.1]	4.59 [116.6]	4.59 [116.6]	1.703 [43.3]	.387 [9.8]	2.09 [53.1]	.25 [6.4]
E297N	4"	4.515 [114.7]	4.491 [114.1]	4.314 [109.6]	4.775 [121.3]	5.31 [134.9]	5.05 [128.3]	1.766 [44.9]	.514 [13.1]	2.28 [57.9]	.31 [7.9]
E297P	5"	5.593 [142.1]	5.553 [141.0]	5.337 [135.6]	6.273 [159.3]	6.34 [161.0]	6.34 [161.0]	1.953 [42.0]	.487 [12.4]	2.44 [62.0]	.31 [7.9]
E297R	6"	6.658 [169.1]	6.614 [168.0]	6.354 [161.4]	6.928 [176.0]	7.38 [187.5]	7.38 [187.5]	2.14 [54.4]	.55 [14.0]	2.69 [68.3]	.31 [7.9]

TITLE: BELL ENDS		DRN. DPR	DATE 6-25-97	PART NO: E297 SERIES
LAMSON & SESSIONS	ALL DRAWINGS ARE THE PROPERTY OF LAMSON & SESSIONS AND SHALL NOT BE REPRODUCED IN ANY FORM WITHOUT LAMSON & SESSIONS' APPROVAL AND ARE TO BE PROMPTLY RETURNED UPON REQUEST.	APP. Jm	DATE 7/2/97	DRAWING NO: AC03132
				REV.