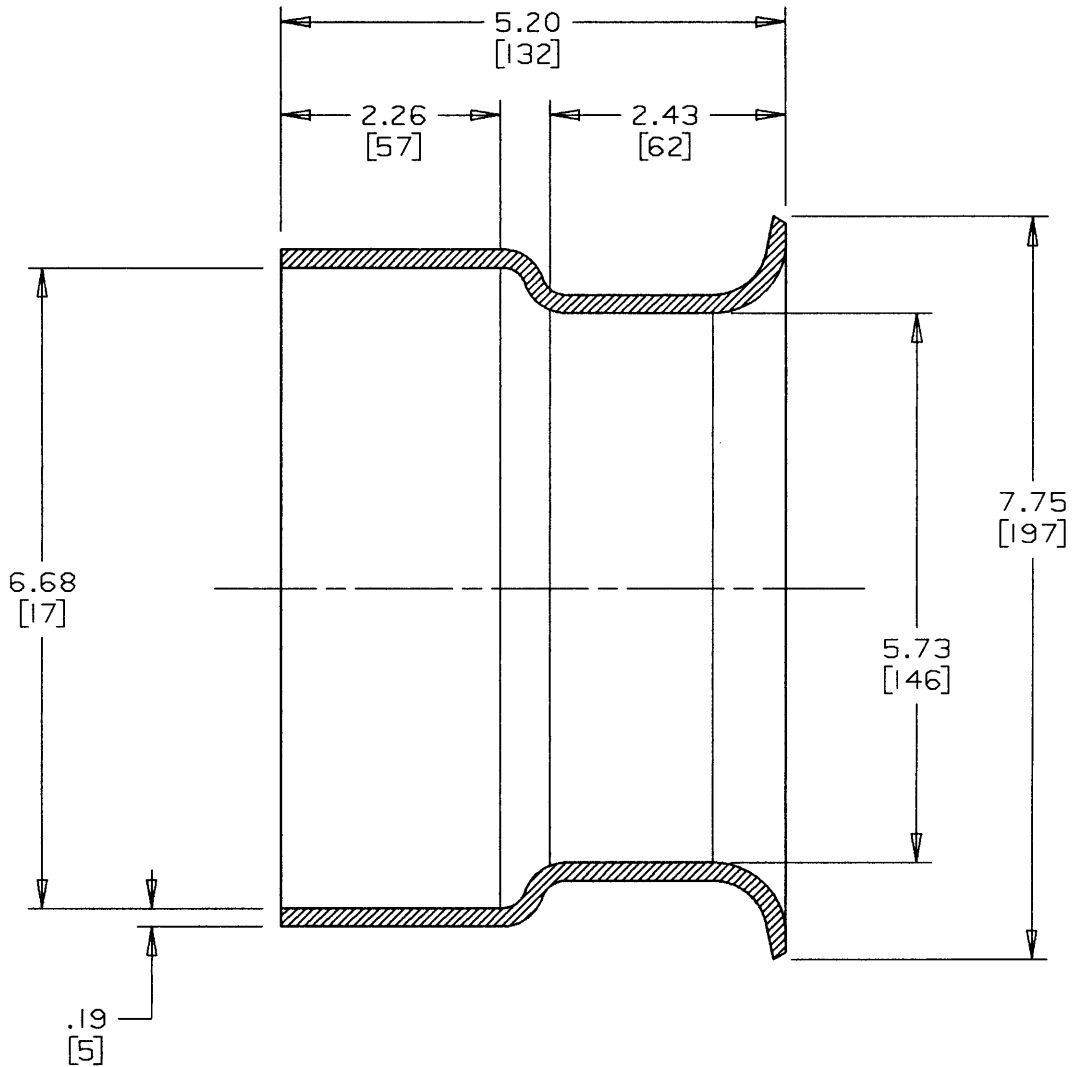


This information provided by:



Gross Automation
www.grossautomation.com

Call Toll Free:
800-349-5827



NOTES:

1. SCALE = .5
2. DIMENSIONS READ IN/MM
3. MATERIAL = PVC

TITLE: 6" P&C BELL END - FABRICATED

DRN. DATE
RG 2/12/94

PART NO:
E297RF

LAMSON & SESSIONS

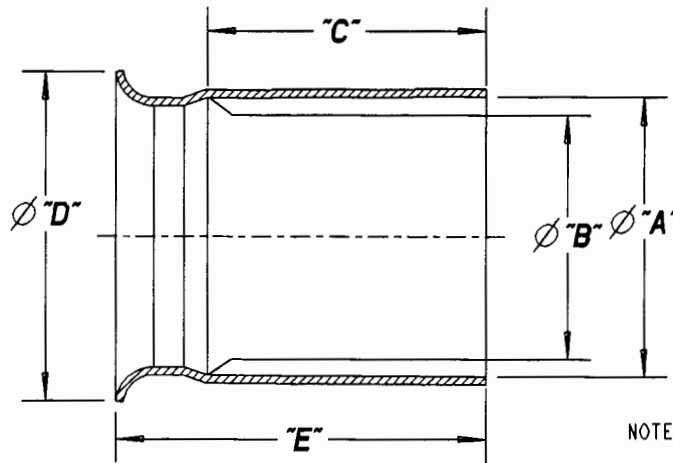
ALL DRAWINGS ARE THE PROPERTY OF LAMSON & SESSIONS AND SHALL NOT BE REPRODUCED IN ANY FORM WITHOUT LAMSON & SESSIONS' APPROVAL AND ARE TO BE PROMPTLY RETURNED UPON REQUEST.

APP. DATE
CF 2-19-97

DRAWING NO:
AC01685

REV.
A

CARLON



NOTE: ALL DIMENSIONS ARE IN INCH/MILLIMETERS

PART NO.	NOMINAL SIZE	A	B	C	D	E
E297JN	2"	2.40 (60.9)	2.38 (60.5)	2.38 (60.5)	4.28 (108.7)	4.00 (101.6)
E297LR	3"	3.54 (89.9)	3.51 (89.2)	3.51 (89.2)	5.28 (134.1)	6.00 (152.4)
E297NR	4"	4.54 (115.3)	4.51 (114.6)	3.62 (91.9)	5.50 (139.7)	6.00 (152.4)
E297NS	4"	4.54 (115.3)	4.51 (114.6)	3.62 (91.9)	5.50 (139.7)	8.00 (203.2)
E297NT	4"	4.54 (115.3)	4.51 (114.6)	4.51 (114.6)	5.50 (139.7)	10.00 (254.0)
E297NV	4"	4.54 (115.3)	4.51 (114.6)	4.51 (114.6)	5.50 (139.7)	12.00 (304.8)
E297PR	5"	5.61 (142.5)	5.57 (141.5)	4.25 (107.9)	6.50 (165.1)	6.00 (152.4)
E297PS	5"	5.61 (142.5)	5.57 (141.5)	5.58 (141.7)	6.50 (165.1)	8.00 (203.2)
E297PT	5"	5.61 (142.5)	5.57 (141.5)	4.50 (114.3)	6.50 (165.1)	10.00 (254.0)
E297RF	6"	6.17 (156.7)	6.63 (168.4)	2.75 (69.8)	7.50 (190.5)	8.25 (209.6)
E297RS	6"	6.69 (169.9)	6.64 (168.7)	5.25 (133.4)	8.00 (203.2)	8.00 (203.2)
E297RT	6"	6.66 (169.2)	6.64 (168.7)	5.75 (146.0)	7.50 (190.5)	10.00 (254.0)
E297RR	6"	6.66 (169.2)	6.61 (167.9)	5.25 (133.4)	7.50 (190.5)	6.00 (152.4)
E949J5	2"	2.39 (60.7)	2.37 (60.2)	1.87 (47.5)	3.28 (83.3)	5.00 (127.0)
E949J6	2"	2.39 (60.7)	2.37 (60.2)	1.87 (47.5)	3.28 (83.3)	6.00 (152.4)
E949JN	2"	2.39 (60.7)	2.37 (60.2)	1.87 (47.5)	3.28 (83.3)	4.00 (101.6)
E949JX	2"	2.39 (60.7)	2.37 (60.2)	1.87 (47.5)	3.28 (83.3)	8.00 (203.2)
E949LR	3"	3.52 (89.4)	3.49 (88.6)	3.00 (76.2)	4.28 (108.7)	6.00 (152.4)
E949N5	4"	4.52 (114.8)	4.49 (114.0)	3.25 (82.6)	5.50 (139.7)	5.00 (127.0)
E949NR	4"	4.52 (114.8)	4.49 (114.0)	3.25 (82.6)	5.50 (139.7)	6.00 (152.4)
E949P5	5"	5.59 (141.9)	5.55 (140.9)	3.50 (88.9)	6.50 (165.1)	5.00 (127.0)
E949R5	6"	6.66 (169.1)	6.61 (167.9)	3.62 (91.9)	7.50 (190.5)	5.00 (127.0)
E949RX	6"	6.66 (169.1)	6.61 (167.9)	3.62 (91.9)	7.50 (190.5)	8.00 (203.2)
E907NY	4"	4.38 (111.3)	4.35 (110.5)	3.25 (82.6)	5.75 (146.0)	9.00 (228.6)
E997T	8"	8.69 (220.7)	8.64 (219.5)	6.25 (158.8)	9.50 (241.3)	9.00 (228.6)
E9097NR	4"	4.38 (111.3)	4.35 (110.5)	3.25 (82.6)	5.75 (146.0)	8.00 (203.2)
E9097NS	4"	4.38 (111.3)	4.35 (110.5)	3.25 (82.6)	5.75 (146.0)	8.00 (203.2)
E9097NT	4"	4.38 (111.3)	4.35 (110.5)	3.25 (82.6)	5.75 (146.0)	10.00 (254.0)
E9097NU	4"	4.38 (111.3)	4.35 (110.5)	3.25 (82.6)	5.75 (146.0)	12.00 (304.8)

TITLE		SPECIAL BELL END		DRN.	DATE	PART NO:	
LAMSON & SESSIONS		ALL DRAWINGS ARE THE PROPERTY OF LAMSON & SESSIONS AND SHALL NOT BE REPRODUCED IN ANY FORM WITHOUT LAMSON & SESSIONS' APPROVAL AND ARE TO BE PROMPTLY RETURNED UPON REQUEST.		DPR	2-12-02	SEE CHART	
				APP.	DATE	DRAWING NO:	REV.
				GOT	2-12-02	AC04102	A