

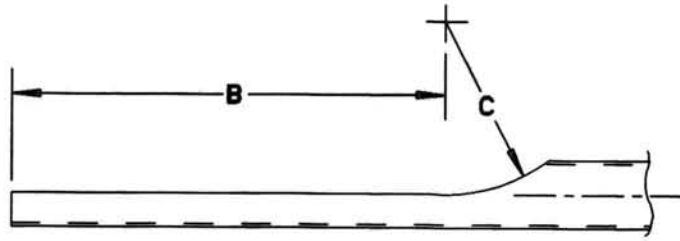
This information provided by:



Gross Automation
www.grossautomation.com

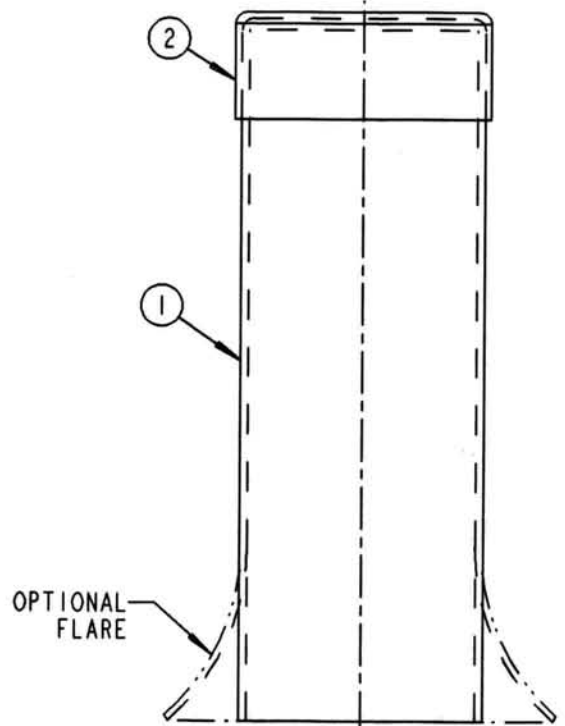
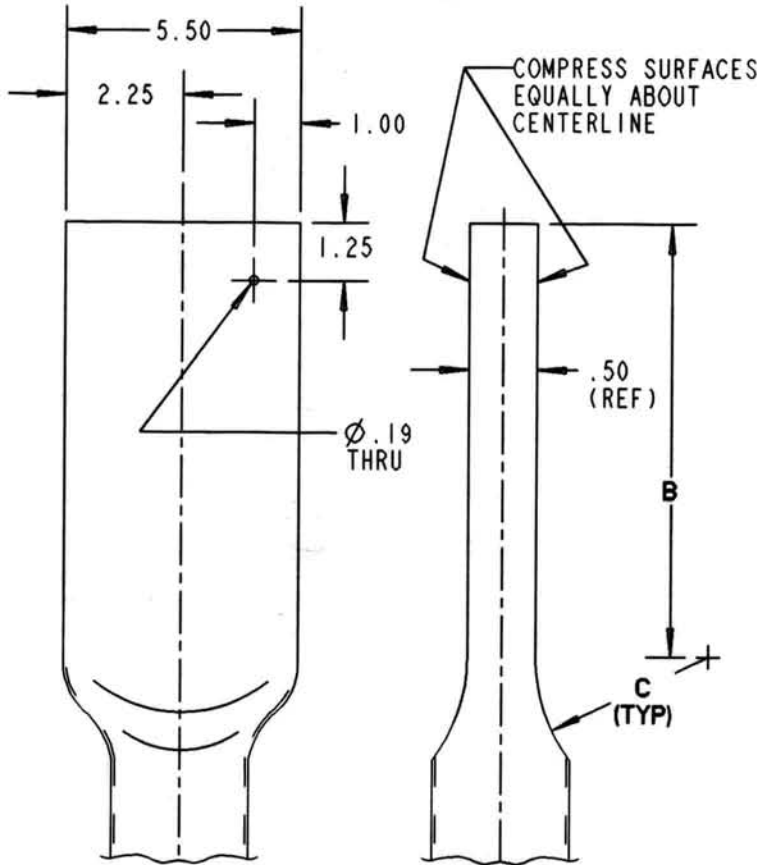
Call Toll Free:
800-349-5827

PART NO.	NOMINAL PIPE SIZE	ITEM 2	DIM 'A' (±.5")	B	C	FLARED END?
E299JM	2" (50.8mm)	E958J	39.0" (.99M)	-	-	YES
E299JP	2" (50.8mm)	E958J	56.0" (1.42M)	-	-	YES
E299JR	2" (50.8mm)	E958J	78.0" (1.98M)	15" (381 mm)	6" (152 mm)	NO
E299LR	3" (76.2mm)	-	61.0" (1.93M)	5" (127 mm)	1" (25 mm)	YES
E299NX7	4" (101.6mm)	Z348N	84.0" (2.13M)	-	-	YES
E299NN	4" (101.6mm)	Z348N	120.0" (3.05M)	-	-	NO
E299LF	3" (76.2mm)	E958L	36.0" (9.14M)	-	-	YES



DETAIL FOR E299JR ONLY

DETAIL FOR E299LR ONLY



TITLE: PVC CABLE MARKERS		DRN: D.J.K	DATE: 3/19/96	PART NO.: SEE CHART
LAMSON & SESSIONS	ALL DRAWINGS ARE THE PROPERTY OF LAMSON & SESSIONS AND SHALL NOT BE REPRODUCED IN ANY FORM WITHOUT LAMSON & SESSIONS' APPROVAL AND ARE TO BE PROMPTLY RETURNED UPON REQUEST.	APP. IMBLER	DATE: 3/22/96	DRAWING NO.: AC02575
				REV. B