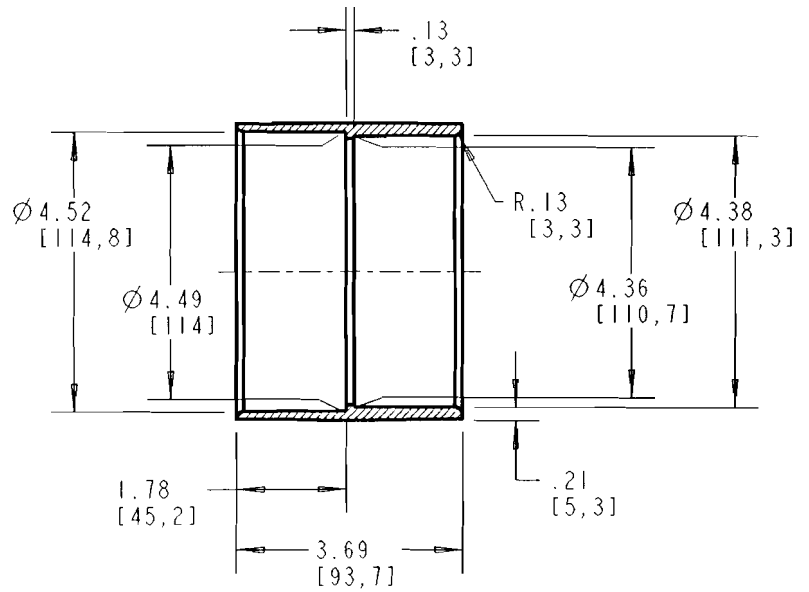
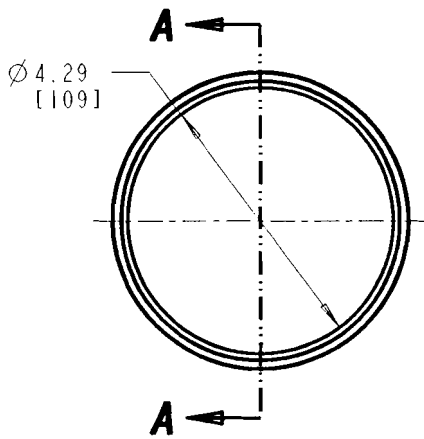
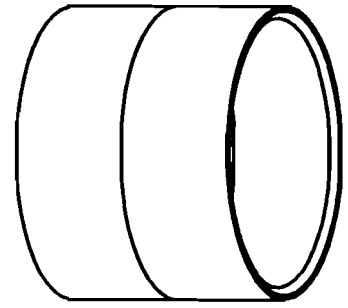


This information provided by:



Gross Automation
www.grossautomation.com

Call Toll Free:
800-349-5827



SECTION A-A

NOTE:
1. ALL DIMENSIONS ARE IN INCH/MILLIMETERS.

TITLE: 4" P&C TO B&C TELEPHONE DUCT ADAPTER		DRN: DPR	DATE: 1-18-06	PART NO.: E913N
LAMSON & SESSIONS	ALL DRAWINGS ARE THE PROPERTY OF LAMSON & SESSIONS AND SHALL NOT BE REPRODUCED IN ANY FORM WITHOUT LAMSON & SESSIONS' APPROVAL AND ARE TO BE PROMPTLY RETURNED UPON REQUEST.	APP.	DATE:	DRAWING NO.: AC04831
				REV.