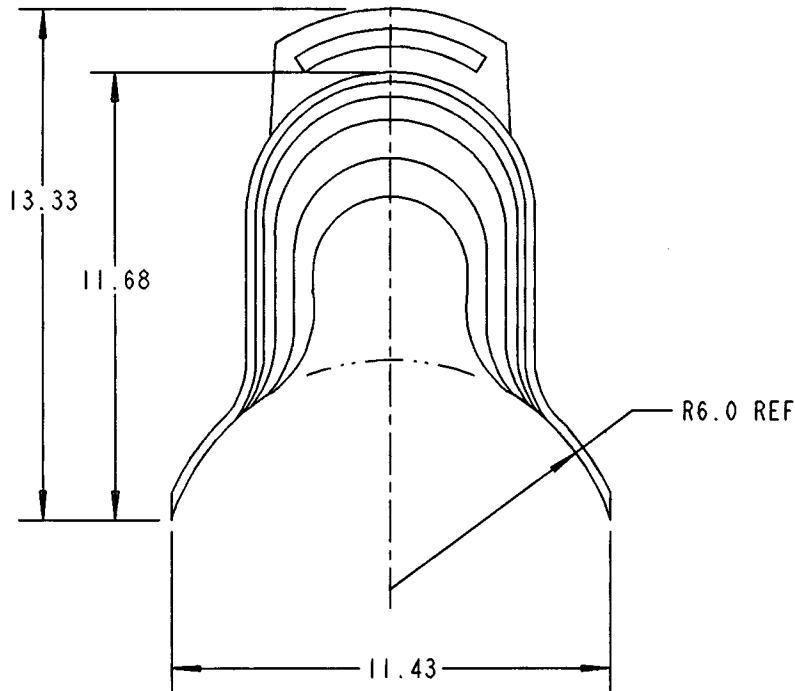
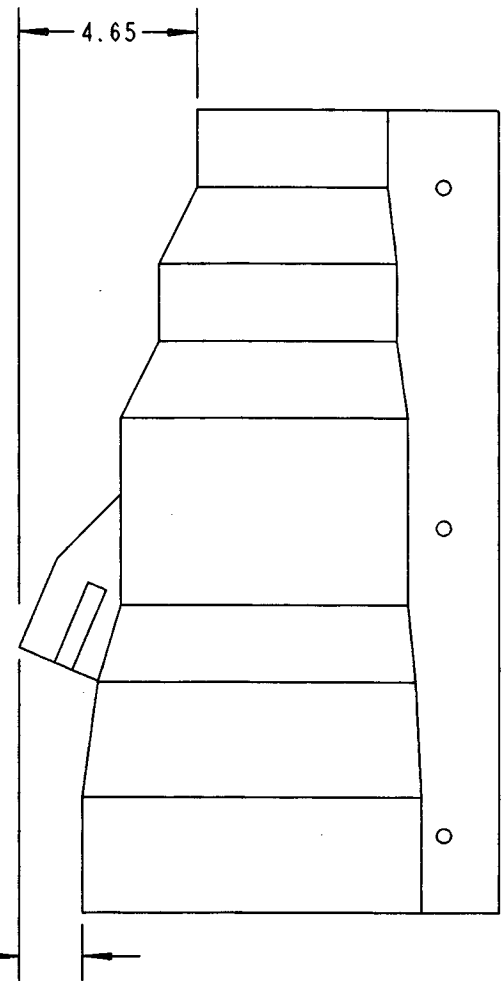
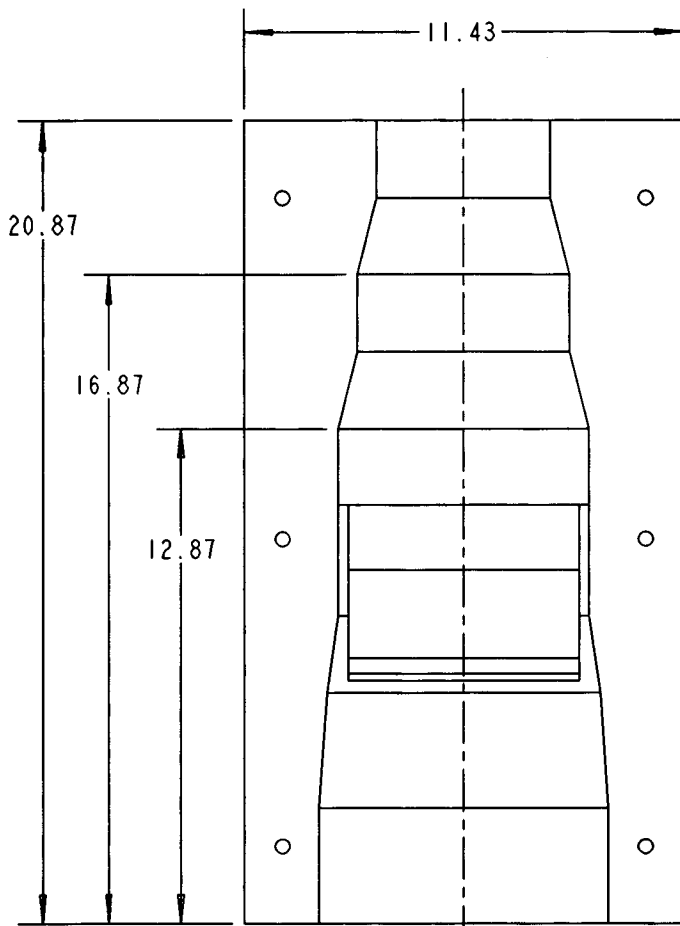


This information provided by:



Gross Automation  
[www.grossautomation.com](http://www.grossautomation.com)

Call Toll Free:  
**800-349-5827**



TITLE		VENTED BOOT - 6 INCH		DRN	DATE	PART NO:	
LAMSON & SESSIONS		ALL DRAWINGS ARE THE PROPERTY OF LAMSON & SESSIONS AND SHALL NOT BE REPRODUCED IN ANY FORM WITHOUT LAMSON & SESSIONS' APPROVAL AND ARE TO BE PROMPTLY RETURNED UPON REQUEST.		RG	5/1/03	E938NRR	
				APP.	DATE	DRAWING NO:	
				KF	5/2/03	AC04392	
						REV.	A