

This information provided by:

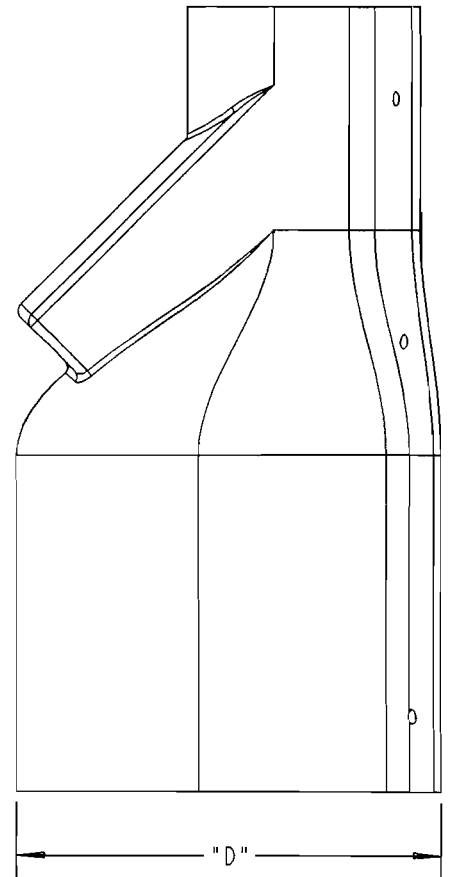
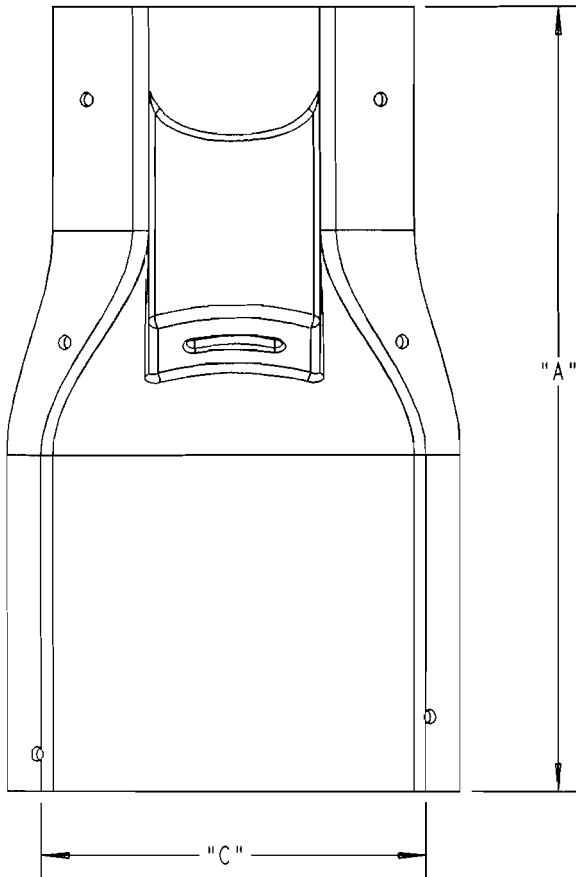
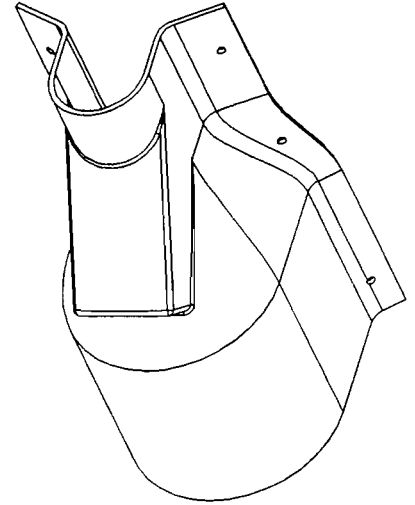


Gross Automation
www.grossautomation.com

Call Toll Free:
800-349-5827

PART NO.	SIZE	"A"	"B"	"C"
E938JR	2" X 6"	20.50 [520.7]	6.14 [156]	6.88 [174.8]
E938NT	4" X 8"	21.00 [533.4]	11.31 [287.3]	9.76 [247.9]

NOTE: DIMENSIONS ARE IN INCH [MILLIMETERS]



TITLE: PV-MOLD VENTED BOOT		DRN: DPR	DATE: 4-24-02	PART NO: SEE CHART
LAMSON & SESSIONS	ALL DRAWINGS ARE THE PROPERTY OF LAMSON & SESSIONS AND SHALL NOT BE REPRODUCED IN ANY FORM WITHOUT LAMSON & SESSIONS' APPROVAL AND ARE TO BE PROMPTLY RETURNED UPON REQUEST.	APP: GDT	DATE: 5.8-02	DRAWING NO: AC04153
				REV. C