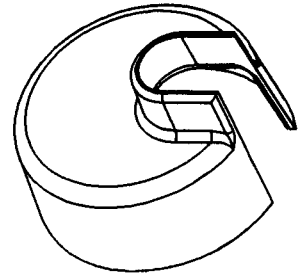


This information provided by:

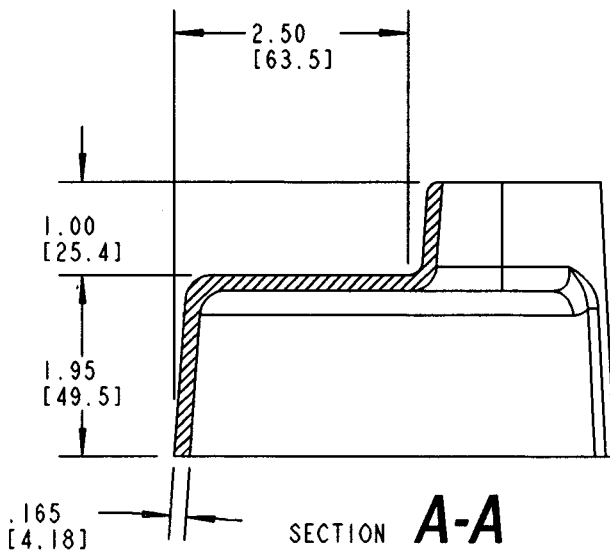
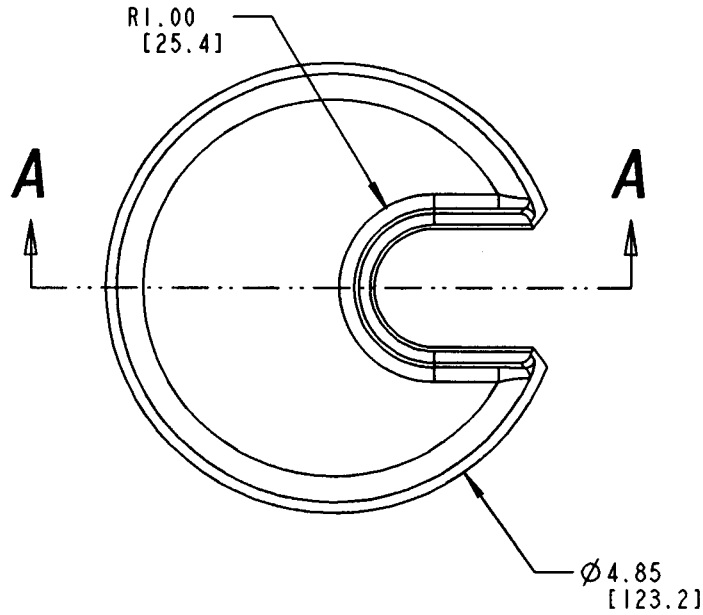


Gross Automation
www.grossautomation.com

Call Toll Free:
800-349-5827



SCALE 0.300



NOTE: ALL DIMENSIONS ARE IN INCH[MILLIMETERS]

TITLE 4" CAP TO 2" OFFSET		DRN DPR	DATE 4-23-02	PART NO: E939NJX
LAMSON & SESSIONS	ALL DRAWINGS ARE THE PROPERTY OF LAMSON & SESSIONS AND SHALL NOT BE REPRODUCED IN ANY FORM WITHOUT LAMSON & SESSIONS' APPROVAL AND ARE TO BE PROMPTLY RETURNED UPON REQUEST.	APP.	DATE	DRAWING NO: AC04151
				REV.