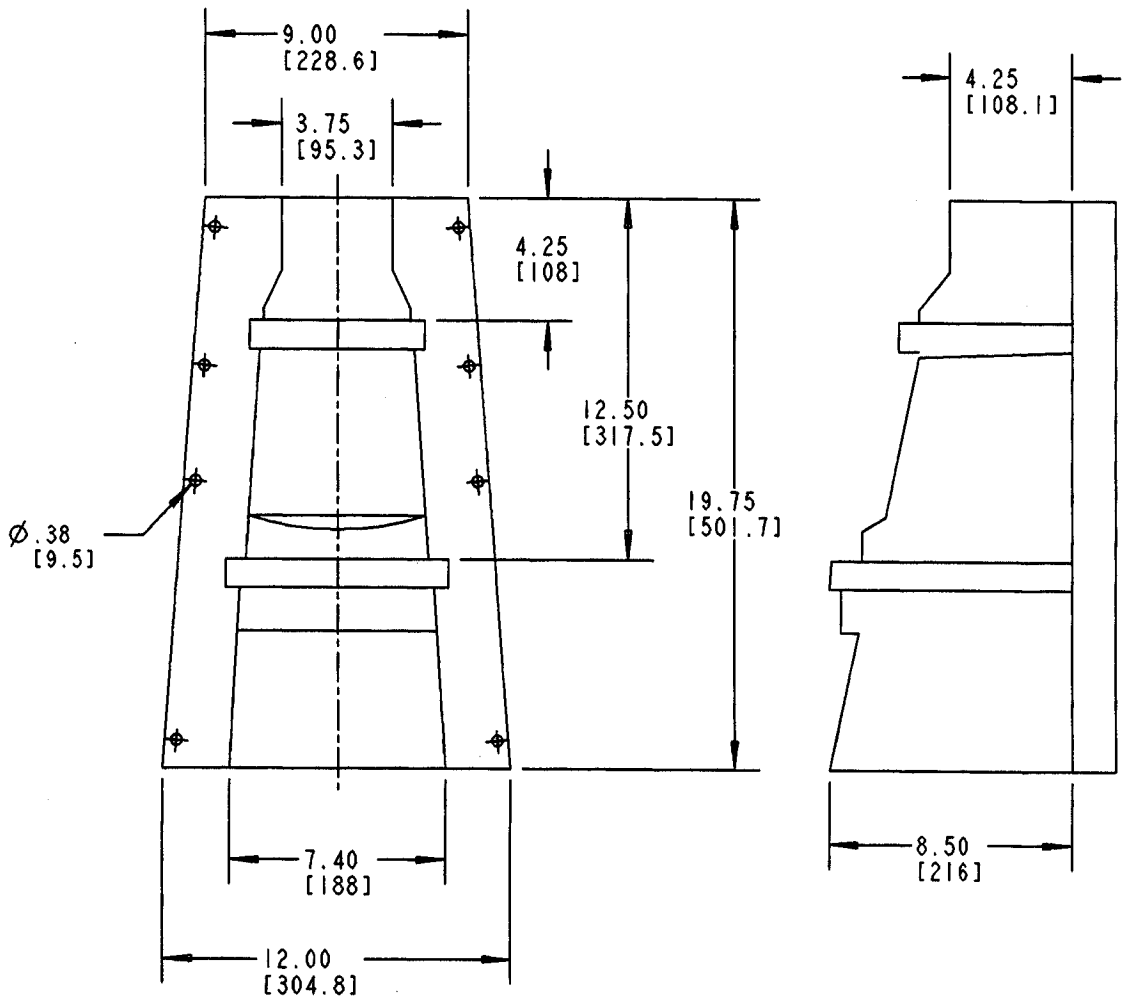
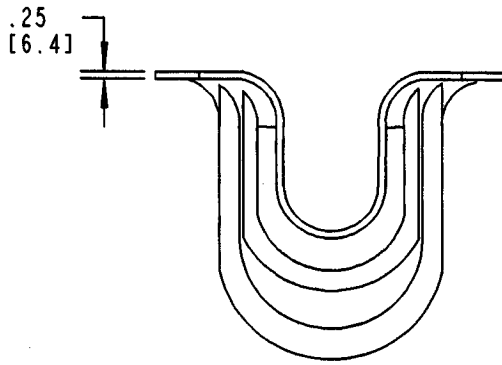


This information provided by:



Gross Automation  
[www.grossautomation.com](http://www.grossautomation.com)

Call Toll Free:  
**800-349-5827**



NOTES:  
 1. ALL DIMENSIONS ARE IN INCH/[MILLIMETERS]

TITLE 3" TO 6" PV MOLD BOOT		DRN DPR	DATE 6-23-03	PART NO. E939NRT
LAMSON & SESSIONS	ALL DRAWINGS ARE THE PROPERTY OF LAMSON & SESSIONS AND SHALL NOT BE REPRODUCED IN ANY FORM WITHOUT LAMSON & SESSIONS' APPROVAL AND ARE TO BE PROMPTLY RETURNED UPON REQUEST.	APP.	DATE	DRAWING NO. AC04408
				REV.