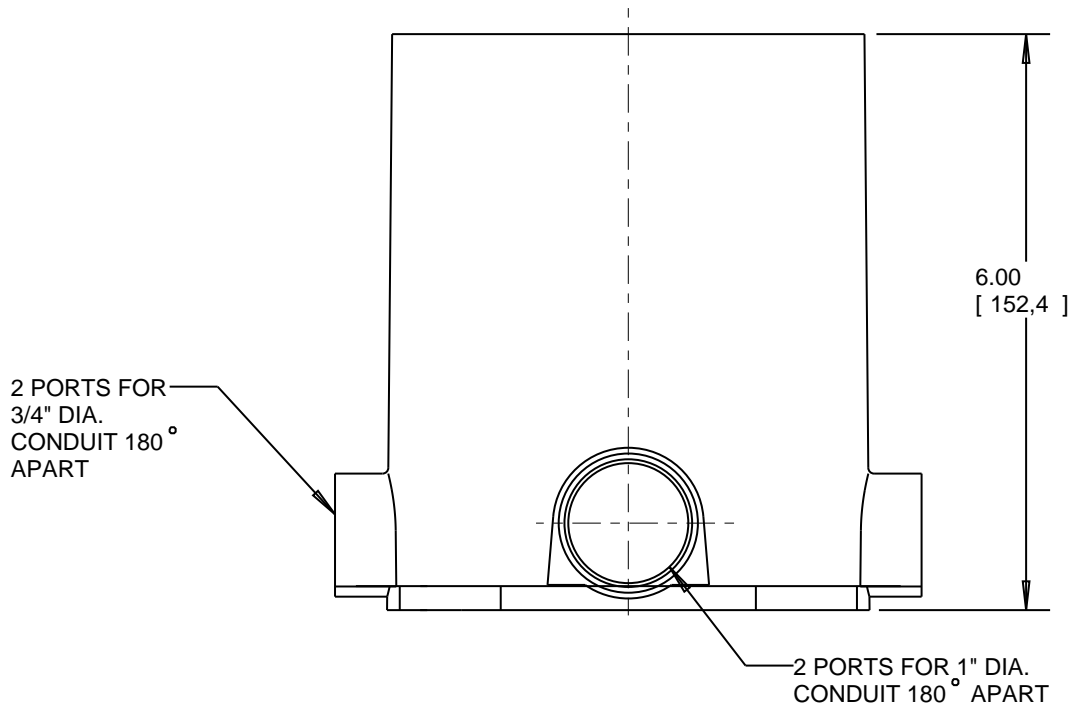
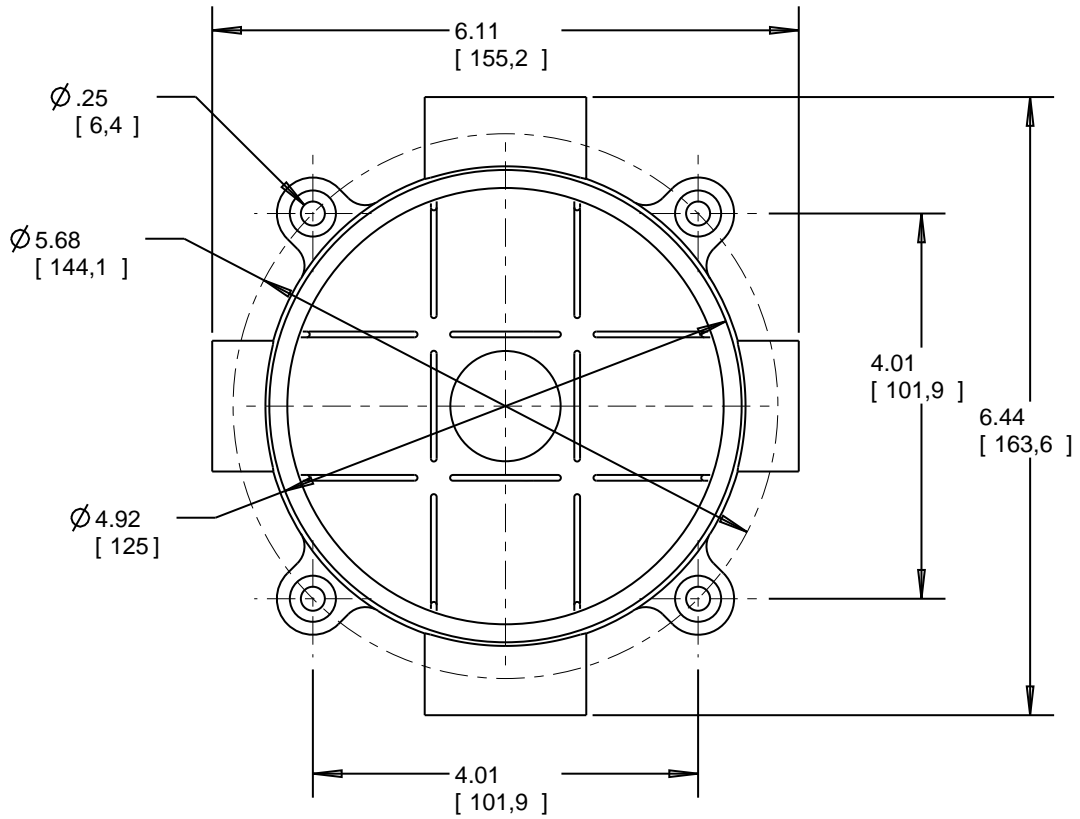


This information provided by:



Gross Automation
www.grossautomation.com

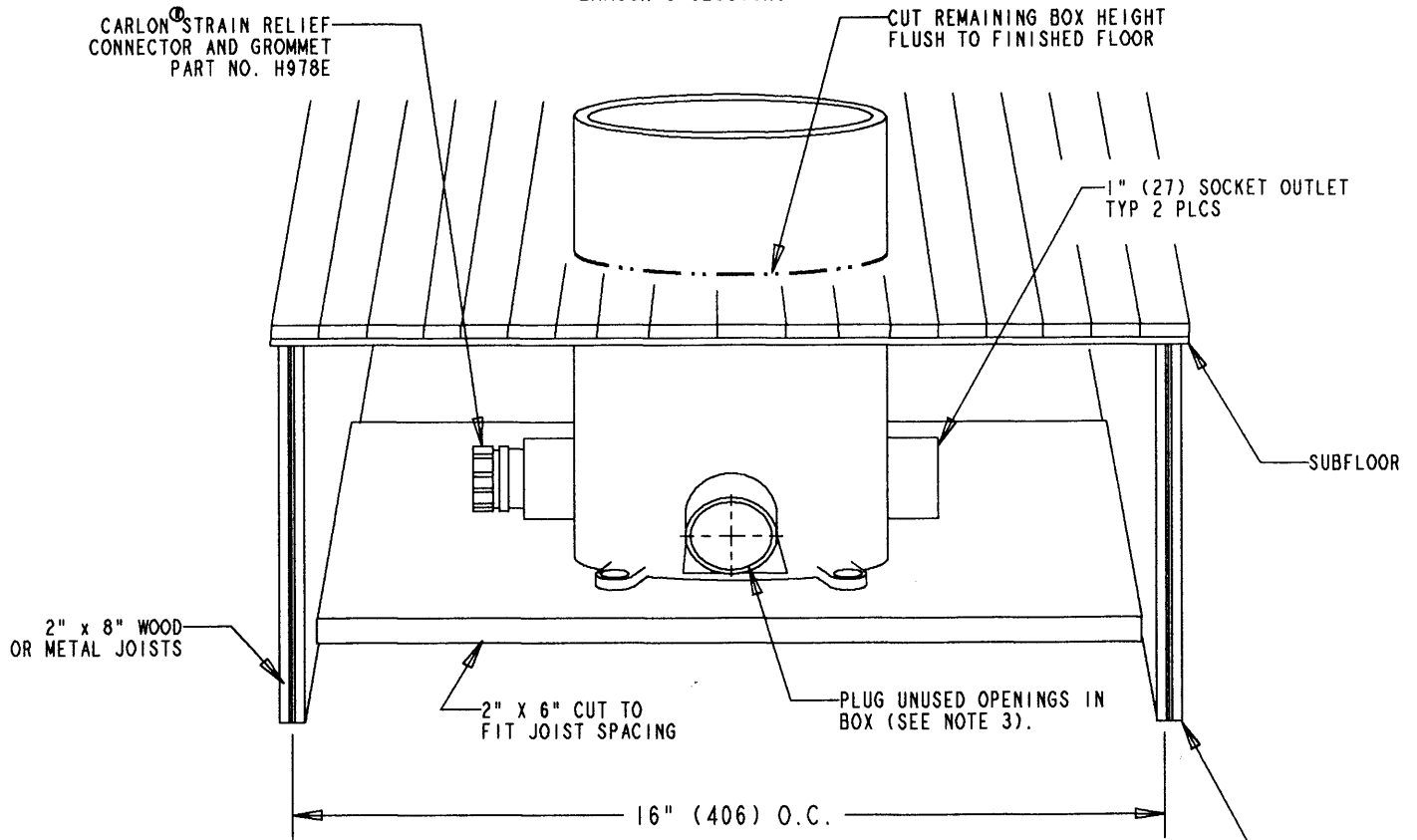
Call Toll Free:
800-349-5827



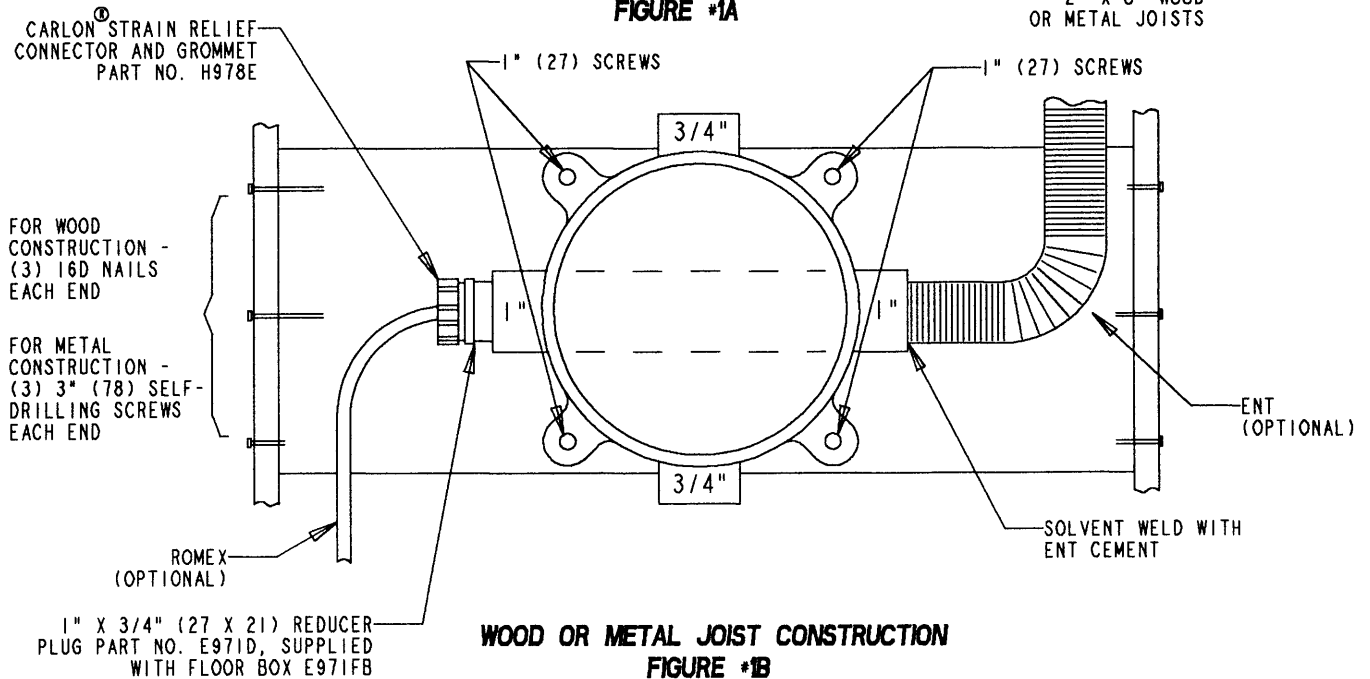
- INCLUDES:
- 1 - FLOOR BOX BASE
 - 1 - DISPOSABLE POURING CAP
 - 2 - 1"X3/4" REDUCER PLUGS
 - 3 - 3/4"X1/2" REDUCER PLUGS

MAXIMUM INTERNAL VOLUME 90 CU.IN.
15.5 CU.IN. PER INCH OF DEPTH
MINIMUM CONCRETE DEPTH - 3"

TITLE: ROUND FLOOR BOX		DRN. DJK	DATE 12-21-95	PART NO.: E971FB
LAMSON & SESSIONS	ALL DRAWINGS ARE THE PROPERTY OF LAMSON & SESSIONS AND SHALL NOT BE REPRODUCED IN ANY FORM WITHOUT LAMSON & SESSIONS' APPROVAL AND ARE TO BE PROMPTLY RETURNED UPON REQUEST	APP. CHR	DATE 2-19-07	DRAWING NO.: AC02471



WOOD OR METAL JOIST CONSTRUCTION
FIGURE #1A



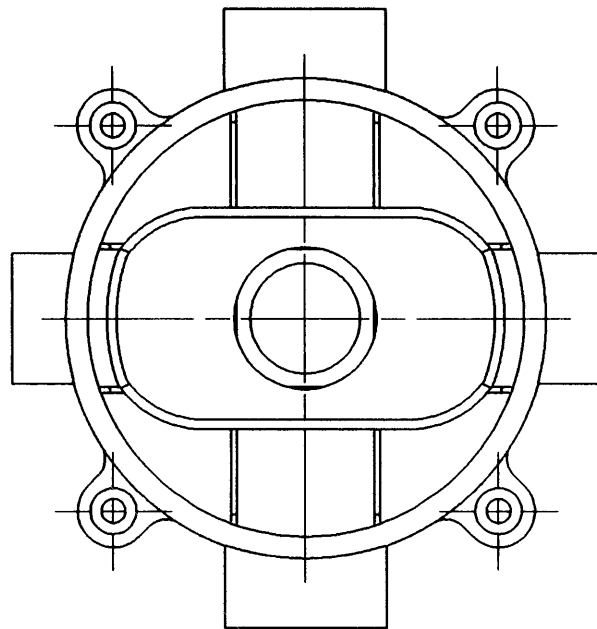
WOOD OR METAL JOIST CONSTRUCTION
FIGURE #1B

NOTES:

1. DIMENSIONS ARE IN INCHES AND (MILLIMETERS).
2. INSTALL BOX ON 2" X 6", SLIDE BETWEEN FLOOR JOISTS, MARK OUTLINE OF BOX ON BOTTOM OF SUBFLOOR, MARK CENTER - CUT HOLE THRU FLOOR TO INSTALL BOX.
3. PLUG ANY UNUSED OUTLET WITH REDUCER PLUG(S) PART NO. E971C OR E971D, SUPPLIED WITH FLOOR BOX.

INSTRUCTIONS FOR CARLTON®
FLOOR BOX PART NO. E971FB FOR
USE IN FRAME CONSTRUCTION

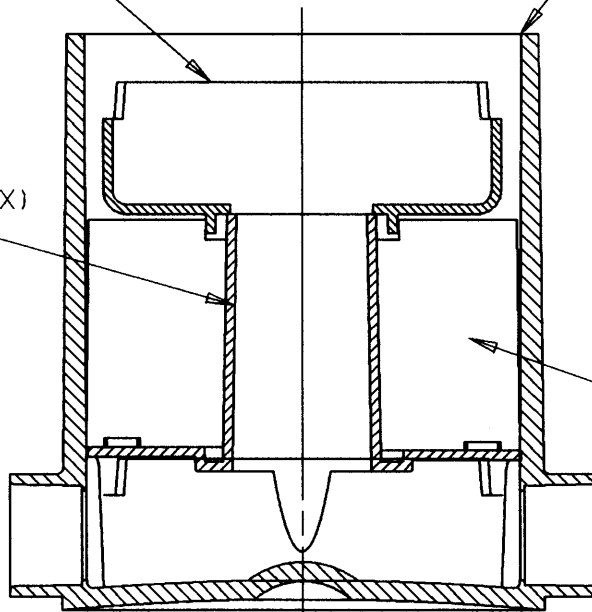
TITLE ROUND FLOOR BOX INSTRUCTION SHEET		DRN PMW	DATE 9-5-97	PART NO.: E971FB
LAMSON & SESSIONS	ALL DRAWINGS ARE THE PROPERTY OF LAMSON & SESSIONS AND SHALL NOT BE REPRODUCED IN ANY FORM WITHOUT LAMSON & SESSIONS' APPROVAL AND ARE TO BE PROMPTLY RETURNED UPON REQUEST.	APP. JM	DATE 9-9-97	DRAWING NO.: AC03194
				REV. A



DIVIDER - UPPER
(ROUND FLOOR BOX)
P/N - E973KA

ROUND FLOOR BOX
P/N - E971FB

DIVIDER - LOWER
(ROUND FLOOR BOX)
P/N - E973KB



DIVIDER
(ROUND FLOOR BOX)
P/N - P971

TITLE: ROUND FLOOR BOX ASSEMBLY

DRN. DATE
DJK 12-21-95

PART NO:
AS NOTED

LAMSON & SESSIONS

ALL DRAWINGS ARE THE PROPERTY OF LAMSON & SESSIONS AND SHALL NOT BE REPRODUCED IN ANY FORM WITHOUT LAMSON & SESSIONS' APPROVAL AND ARE TO BE PROMPTLY RETURNED UPON REQUEST.

APP. DATE
DM 2-8-96

DRAWING NO:
AC02472

REV.
A