

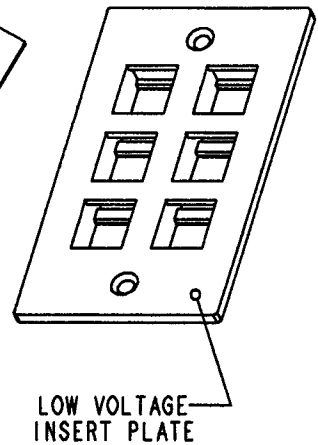
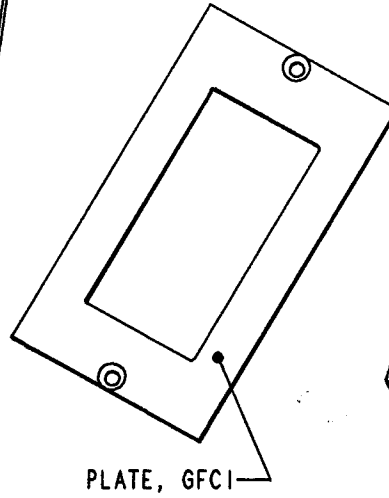
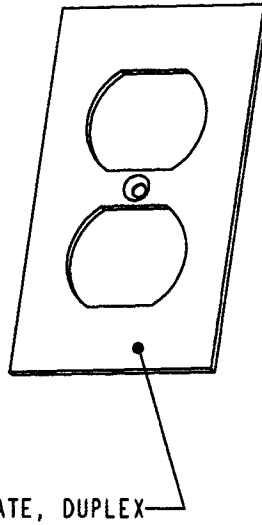
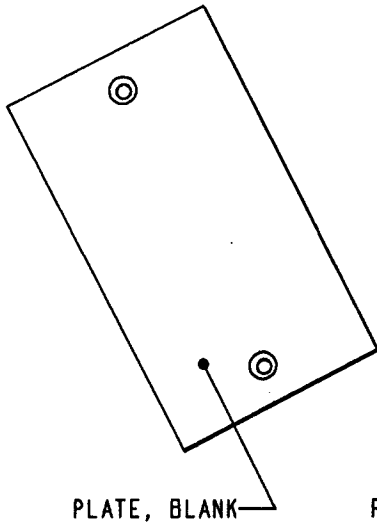
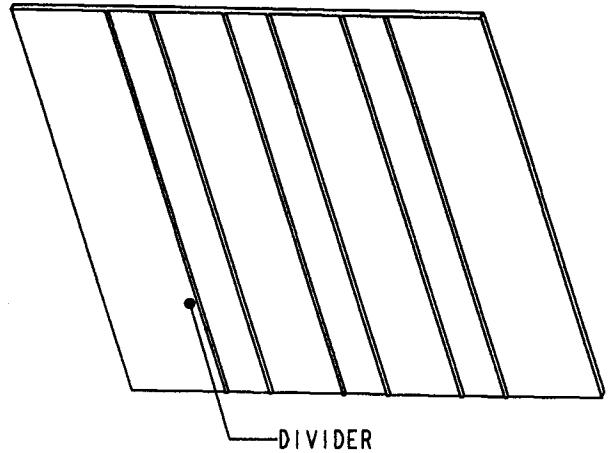
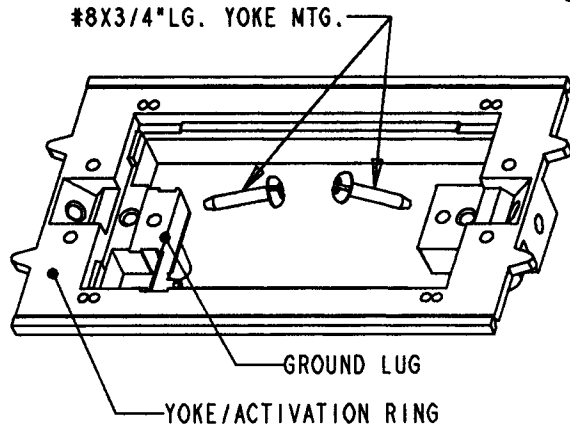
This information provided by:



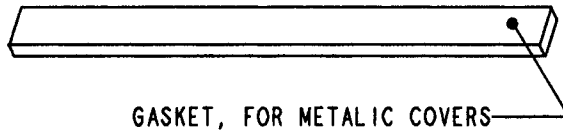
Gross Automation  
[www.grossautomation.com](http://www.grossautomation.com)

Call Toll Free:  
**800-349-5827**

# CARLON



#6X5/8"LG. PLATE MTG. SCREWS PROVIDED

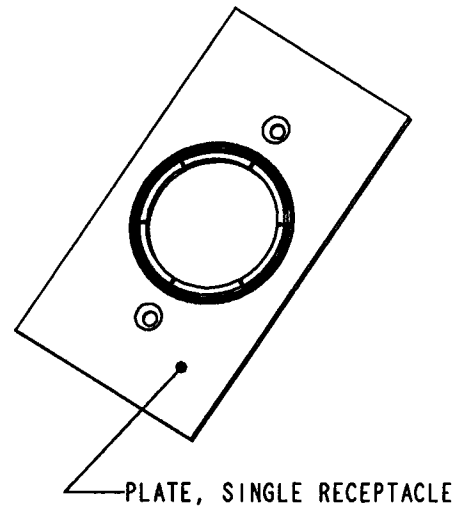


**NOTES:**

1. COLOR : GRAY (WHERE APPLICABLE)
2. U.S. PATENT 5,866,845

**INCLUDES:**

QTY	QTY	DESCRIPTION
X	-	P/N E976AK
-	X	P/N E976AK2
1	1	YOKE/ACTIVATION RING
1	1	DIVIDER
1	1	GASKET, COMPETITIVE COVERS
1	1	KIT, HARDWARE (P/N KE976SK)
1	1	PLATE, BLANK
1	1	PLATE, DUPLEX
1	1	PLATE, GFCI
1	1	PLATE, SINGLE RECEPTACLE
-	1	PLATE, LOW VOLTAGE (6 PORT)



<b>TITLE</b> MODULAR RECTANGULAR FLOOR BOX ADAPTER KIT		<b>DRN</b> DJK	<b>DATE</b> 9-25-96	<b>PART NO.:</b> SEE CHART
<b>LAMSON &amp; SESSIONS</b>	ALL DRAWINGS ARE THE PROPERTY OF LAMSON & SESSIONS AND SHALL NOT BE REPRODUCED IN ANY FORM WITHOUT LAMSON & SESSIONS' APPROVAL AND ARE TO BE PROMPTLY RETURNED UPON REQUEST.	<b>APP.</b> DPM	<b>DATE</b> 9-26-96	<b>DRAWING NO.:</b> AC02828
				<b>REV.</b> C