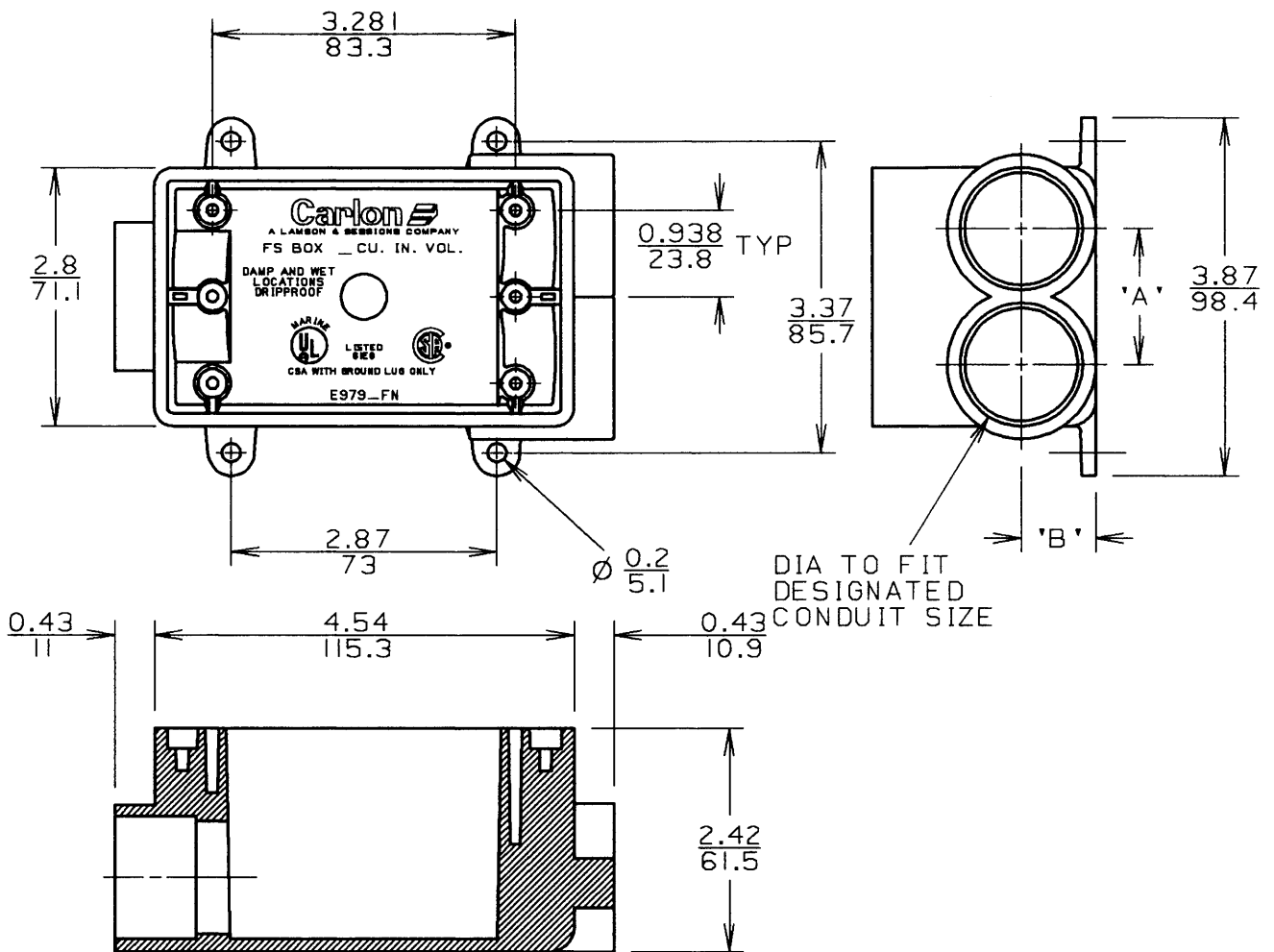


This information provided by:



Gross Automation  
[www.grossautomation.com](http://www.grossautomation.com)

Call Toll Free:  
**800-349-5827**



PART NO	CONDUIT SIZE INCHES (MM)	VOLUME CU. IN. (ML)	DIM 'A' INCHES (MM)	DIM 'B' INCHES (MM)
E979DFN	1/2" (16)	18 (295)	1.53 (38.9)	.568 (14.4)
E979EFN	3/4" (21)	18 (295)	1.20 (30.6)	.672 (17.1)
E979FFN	1" (27)	18 (295)	1.47 (44.2)	.805 (20.4)

TITLE: FS BOXES - 1/2"-3/4"-1" TWO ENTRY, ONE OUTLET

DRN. DATE  
DJK 3-20-95

PART NO:  
SEE CHART

**LAMSON & SESSIONS**

ALL DRAWINGS ARE THE PROPERTY OF LAMSON & SESSIONS AND SHALL NOT BE REPRODUCED IN ANY FORM WITHOUT LAMSON & SESSIONS' APPROVAL AND ARE TO BE PROMPTLY RETURNED UPON REQUEST.

APP. DATE  
PB 3-23-95

DRAWING NO:  
AC02251

REV.