

This information provided by:

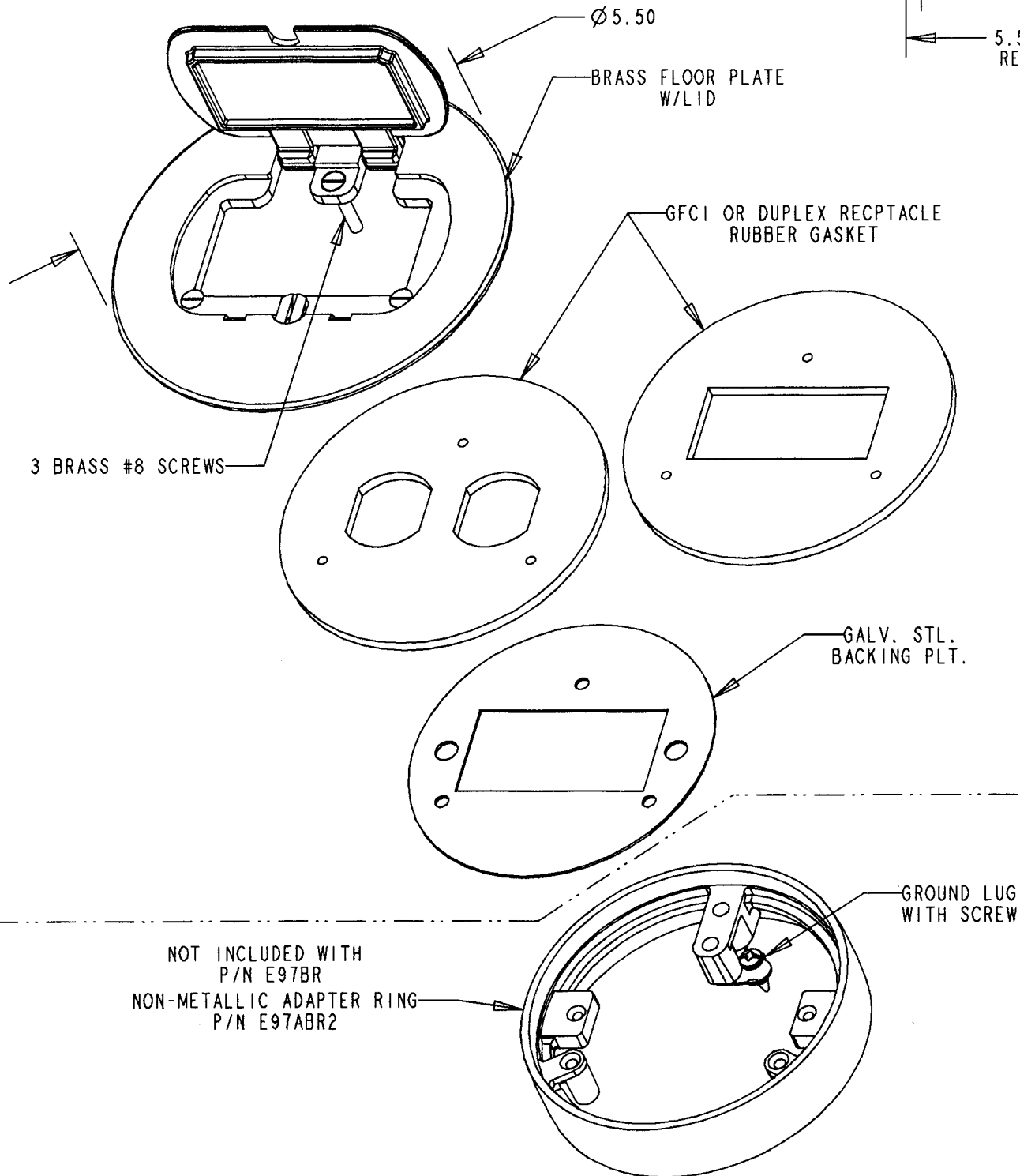
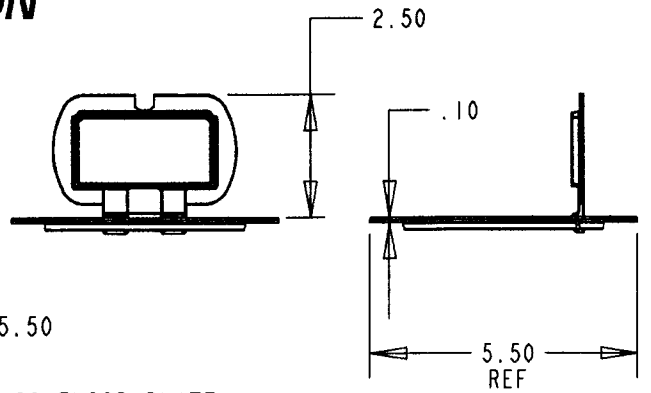


Gross Automation
www.grossautomation.com

Call Toll Free:
800-349-5827

CARLON

P/N E97BR



TITLE BRASS ROUND FLOOR PLATE, DUPLEX OR GFCI		DRN DPR	DATE 6-1-99	PART NO: E97BR
LAMSON & SESSIONS	ALL DRAWINGS ARE THE PROPERTY OF LAMSON & SESSIONS AND SHALL NOT BE REPRODUCED IN ANY FORM WITHOUT LAMSON & SESSIONS' APPROVAL AND ARE TO BE PROMPTLY RETURNED UPON REQUEST.	APP.	DATE	DRAWING NO:
		WJL	1/2/02	AC03602
				REV. B