

This information provided by:



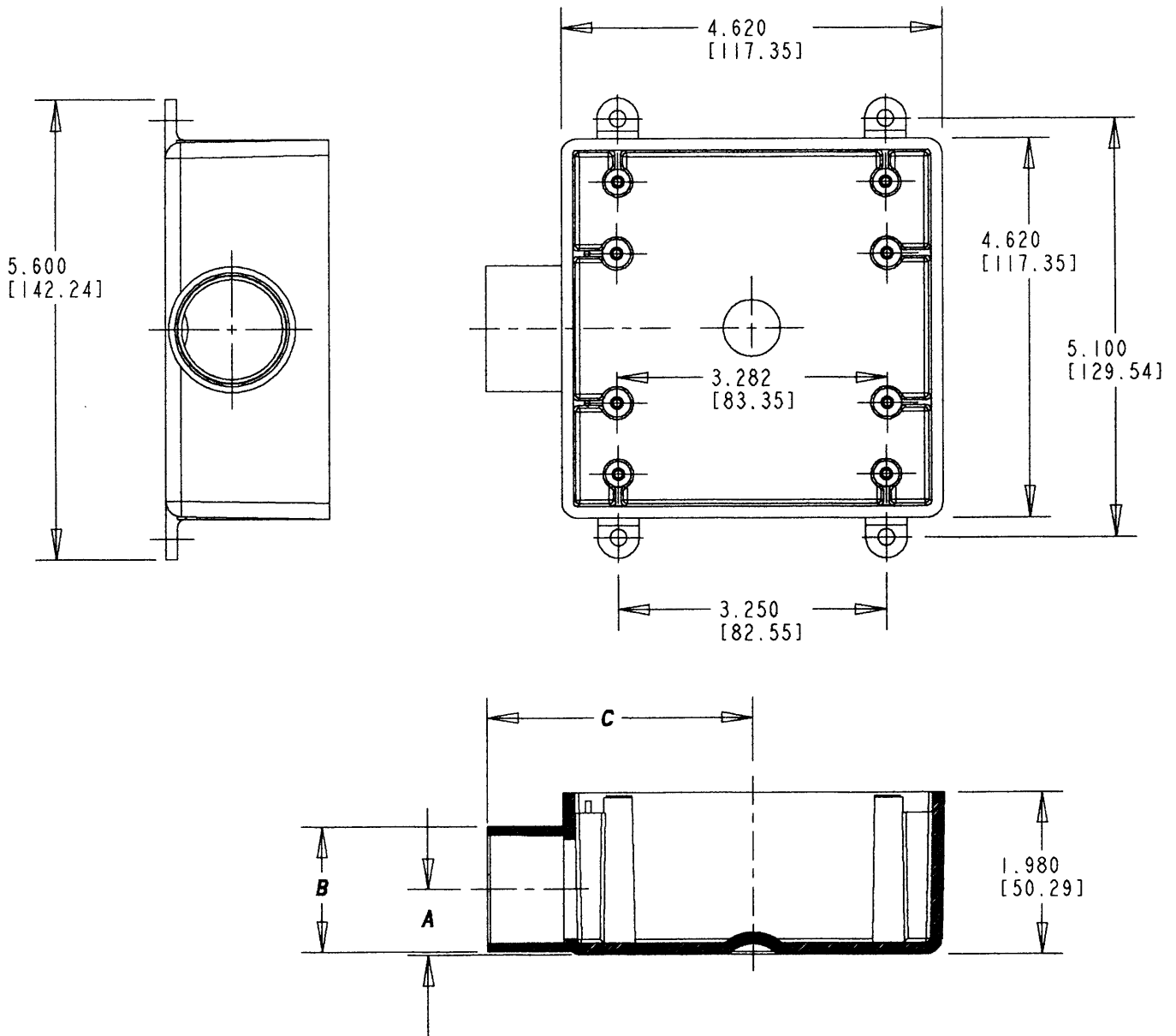
Gross Automation  
[www.grossautomation.com](http://www.grossautomation.com)

Call Toll Free:  
**800-349-5827**

# CARLON

PART NO	PORT SIZE	VOL CU IN (mL)	A	B	C
E9802	NONE	31.5 (516)	-	-	-
E9802D	1/2" (16)	31.5 (516)	.566 (14.4)	1.05 (26.7)	2.990 (76.0)
E9802E	3/4" (21)	31.5 (516)	.672 (17.1)	1.265 (32.1)	3.060 (77.8)
E9802F	1" (27)	31.5 (516)	.805 (20.4)	1.535 (39.0)	3.220 (81.8)

NOTE: DIMENSIONS ARE IN INCHES (MILLIMETERS).



TITLE 2 GANG FS BOX - 1 PORT (AND NO PORTS)

DRN DATE  
RG 4/20/00

PART NO: SEE CHART

LAMSON & SESSIONS

ALL DRAWINGS ARE THE PROPERTY OF LAMSON & SESSIONS AND SHALL NOT BE REPRODUCED IN ANY FORM WITHOUT LAMSON & SESSIONS' APPROVAL AND ARE TO BE PROMPTLY RETURNED UPON REQUEST.

APP DATE  
4/20/00

DRAWING NO: AC03775

REV.