

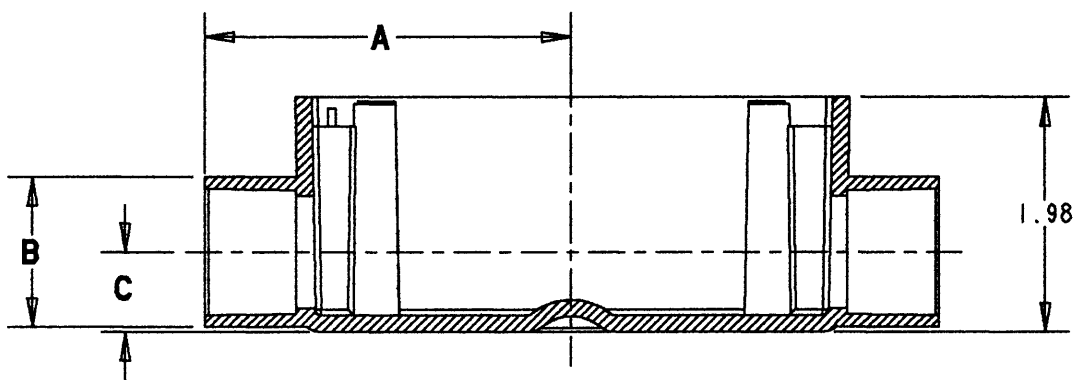
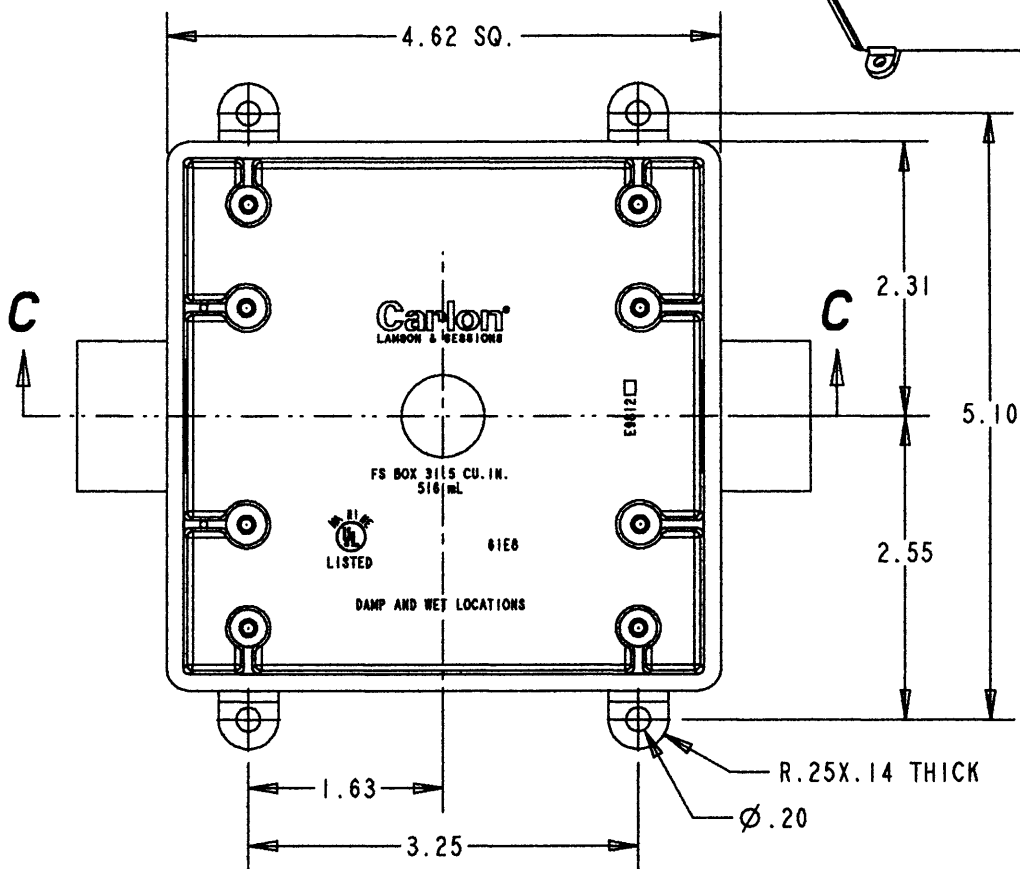
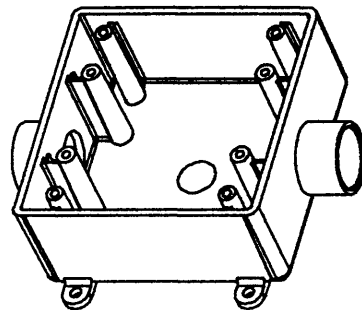
This information provided by:



Gross Automation
www.grossautomation.com

Call Toll Free:
800-349-5827

CARLON



SECTION **C-C**

E9812F	1"	3.22	1.535	.805
E9812E	3/4"	3.06	1.265	.672
E9812D	1/2"	2.99	1.05	.566
PART NO.	PORT SIZE	A	B	C

TITLE FS BOX - 2 GANG - 2 PORTS

DRN DATE
DPR 11-23-99

PART NO: SEE CHART

LAMSON & SESSIONS

ALL DRAWINGS ARE THE PROPERTY OF LAMSON & SESSIONS AND SHALL NOT BE REPRODUCED IN ANY FORM WITHOUT LAMSON & SESSIONS' APPROVAL AND ARE TO BE PROMPTLY RETURNED UPON REQUEST.

APP. DATE
11/27/99

DRAWING NO: AC03677

REV.