

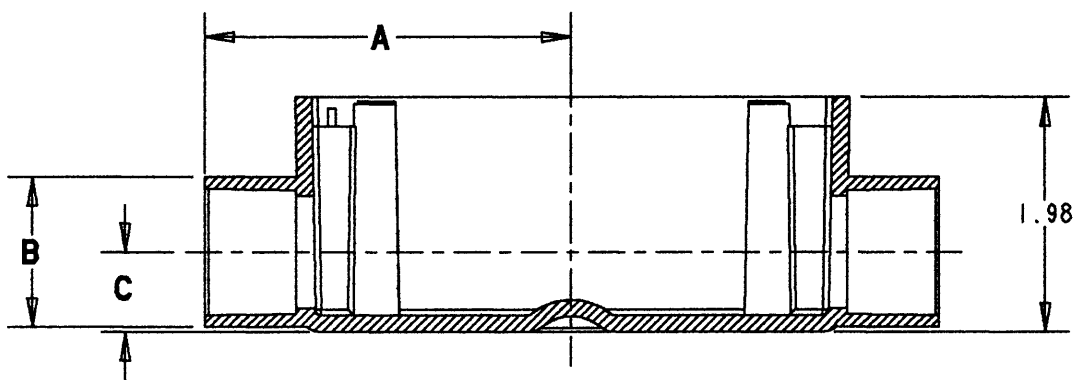
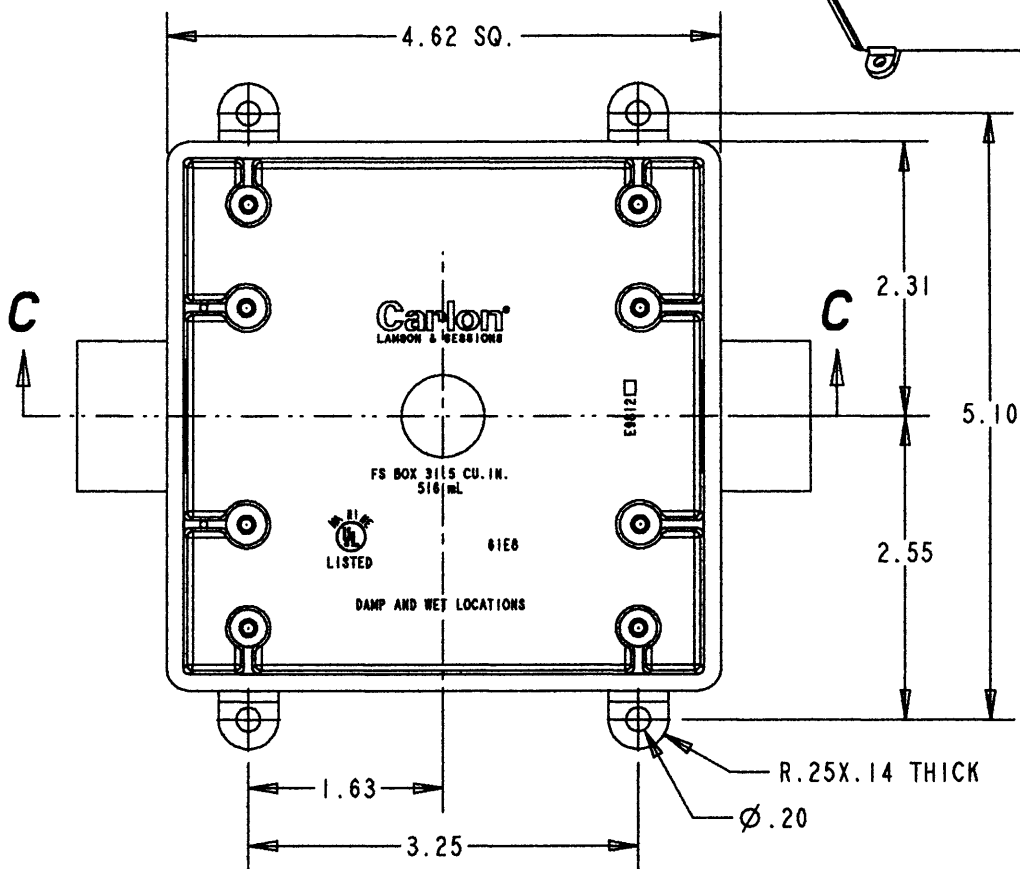
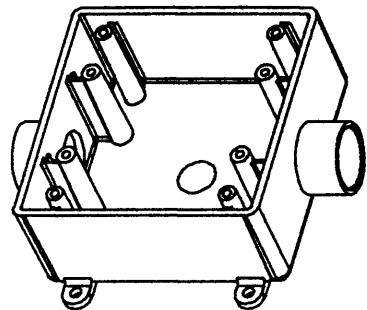
This information provided by:



Gross Automation  
[www.grossautomation.com](http://www.grossautomation.com)

Call Toll Free:  
**800-349-5827**

# CARLON



SECTION **C-C**

E9812F	1"	3.22	1.535	.805
E9812E	3/4"	3.06	1.265	.672
E9812D	1/2"	2.99	1.05	.566
<b>PART NO.</b>	<b>PORT SIZE</b>	<b>A</b>	<b>B</b>	<b>C</b>

TITLE FS BOX - 2 GANG - 2 PORTS

DRN DATE  
DPR 11-23-99

PART NO: SEE CHART

LAMSON & SESSIONS

ALL DRAWINGS ARE THE PROPERTY OF LAMSON & SESSIONS AND SHALL NOT BE REPRODUCED IN ANY FORM WITHOUT LAMSON & SESSIONS' APPROVAL AND ARE TO BE PROMPTLY RETURNED UPON REQUEST.

APP DATE  
11/27/99

DRAWING NO: AC03677

REV.