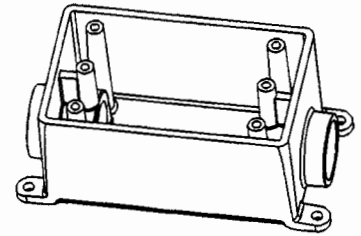


This information provided by:

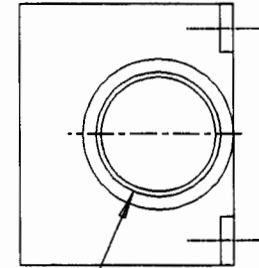
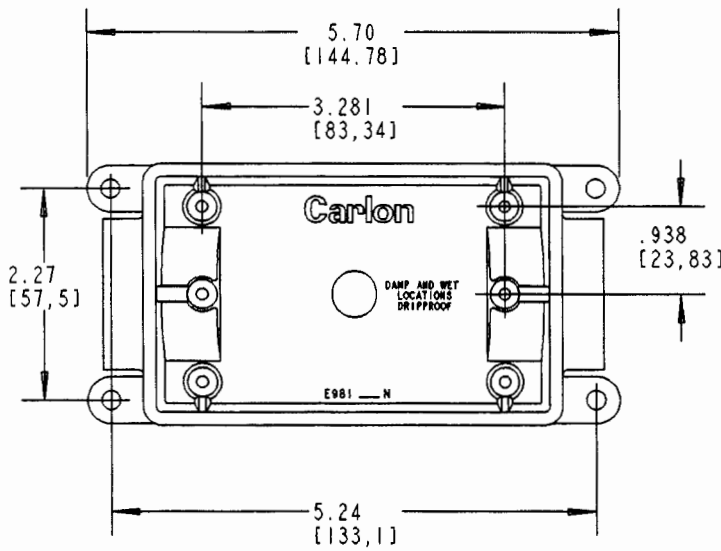


Gross Automation
www.grossautomation.com

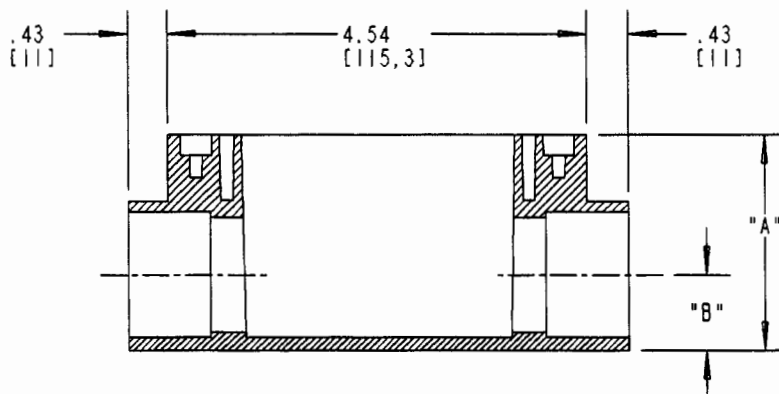
Call Toll Free:
800-349-5827



SCALE 0.300



DIA. TO FIT DESIGNATED CONDUIT SIZE



PART NO	CONDUIT SIZE INCHES (MM)	VOLUME CU. IN. (ML)	DIM 'A' INCHES (MM)	DIM 'B' INCHES (MM)
E981DFN	1/2" (16)	18 (295)	2.30 (58.4)	.566 (14.4)
E981EFN	3/4" (21)	18 (295)	2.30 (58.4)	.672 (17.1)
E981FFN	1" (27)	18 (295)	2.30 (58.4)	.805 (20.4)

TITLE FS BOXES - 1/2"-3/4"-1" ONE ENTRY, ONE OUTLET

DRN DATE
DPR 1-6-05

PART NO:

SEE CHART

LAMSON & SESSIONS

ALL DRAWINGS ARE THE PROPERTY OF LAMSON & SESSIONS AND SHALL NOT BE REPRODUCED IN ANY FORM WITHOUT LAMSON & SESSIONS' APPROVAL AND ARE TO BE PROMPTLY RETURNED UPON REQUEST.

APP. DATE
1/8/05

DRAWING NO.:

AC04669

REV.
-