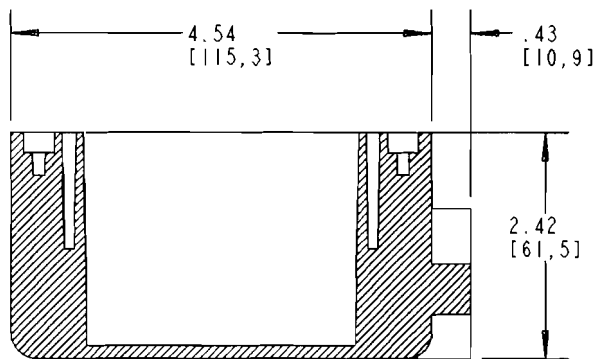
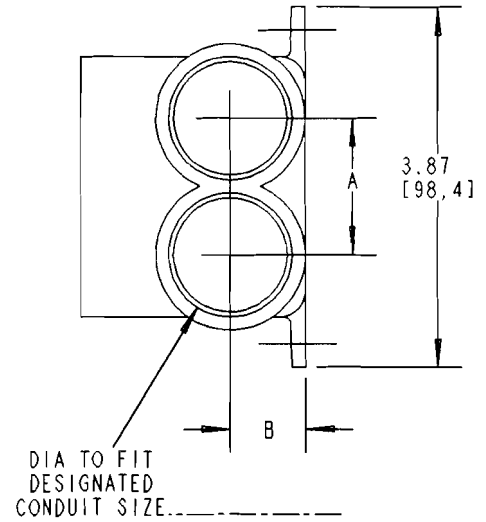
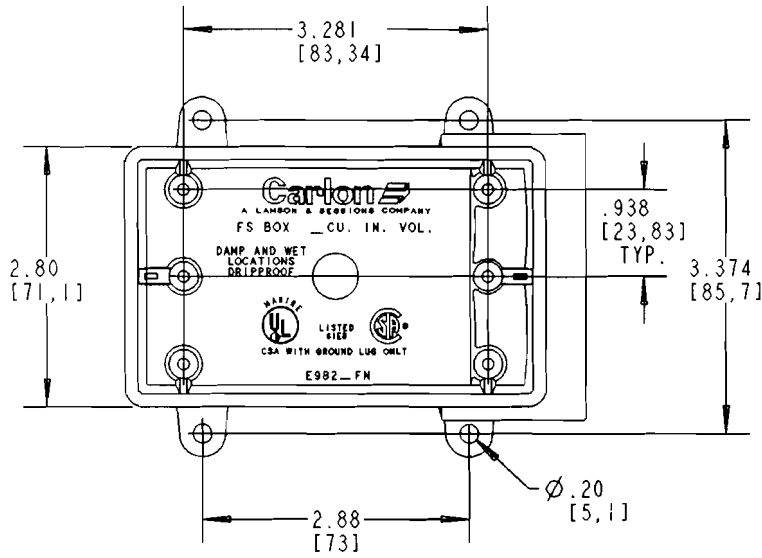


This information provided by:



Gross Automation
www.grossautomation.com

Call Toll Free:
800-349-5827



PART NO.	CONDUIT SIZE	VOLUME CU. IN. (ML)	DIM. A	DIM. B
E982DFN	1/2" [16]	18 [295]	1.53 [38.9]	.568 [14.4]
E982EFN	3/4" [21]	18 [295]	1.20 [30.6]	.672 [17.1]
E982FFN	1" [27]	18 [295]	1.47 [44.2]	.805 [20.4]

NOTE:
1. ALL DIMENSIONS ARE IN INCH/MILLIMETERS.

TITLE: FS BOXES - 1/2"-3/4"-1" TWO ENTRY, NO OUTLET		DRN: DJK	DATE: 3-20-95	PART NO: SEE CHART
LAMSON & SESSIONS	ALL DRAWINGS ARE THE PROPERTY OF LAMSON & SESSIONS AND SHALL NOT BE REPRODUCED IN ANY FORM WITHOUT LAMSON & SESSIONS' APPROVAL AND ARE TO BE PROMPTLY RETURNED UPON REQUEST.	APP: PB	DATE: 3-23-95	DRAWING NO: AC02250
		REV.		