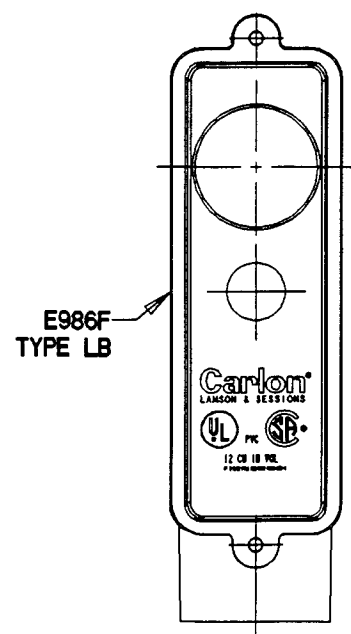
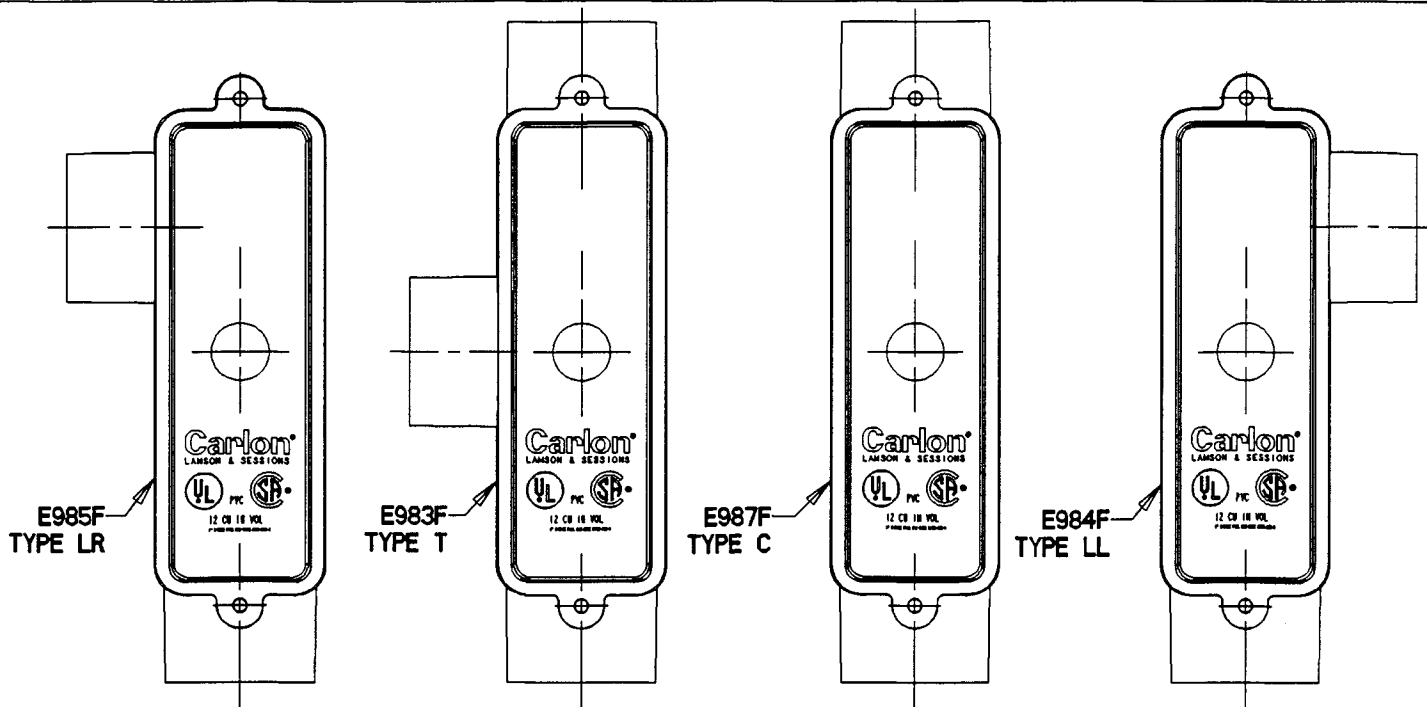


This information provided by:

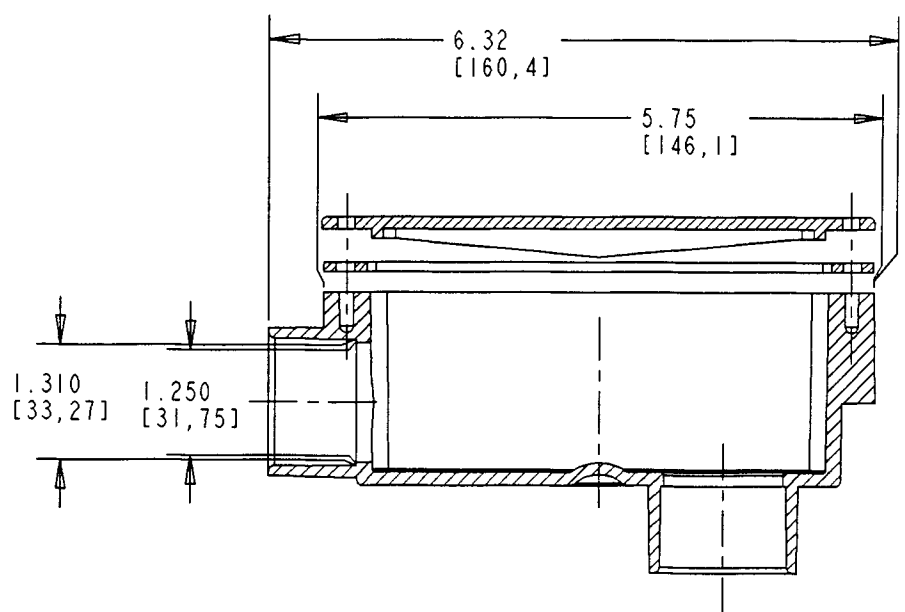
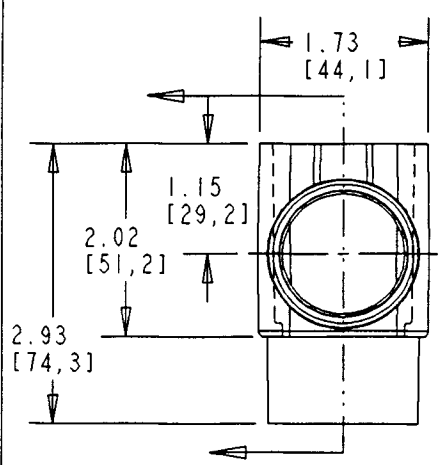


Gross Automation
www.grossautomation.com

Call Toll Free:
800-349-5827



- NOTES:**
- FITTING ASSEMBLIES INCLUDE:
 - (1) FITTING BODY
 - (1) GASKET
 - (1) COVER
 - (2) SCREWS
 - PORT DIMENSIONS ARE TYPICAL REGARDLESS OF POSITION
 - DIMENSIONS ARE IN INCHES[MILLIMETERS].



TITLE: ACCESS FITTINGS - 1"		DRN: RG	DATE: 6/10/02	PART NO.: AS NOTED
LAMSON & SESSIONS		ALL DRAWINGS ARE THE PROPERTY OF LAMSON & SESSIONS AND SHALL NOT BE REPRODUCED IN ANY FORM WITHOUT LAMSON & SESSIONS' APPROVAL AND ARE TO BE PROMPTLY RETURNED UPON REQUEST.		DRAWING NO.: AC04179
		APP: <i>WJL</i>	DATE:	REV.