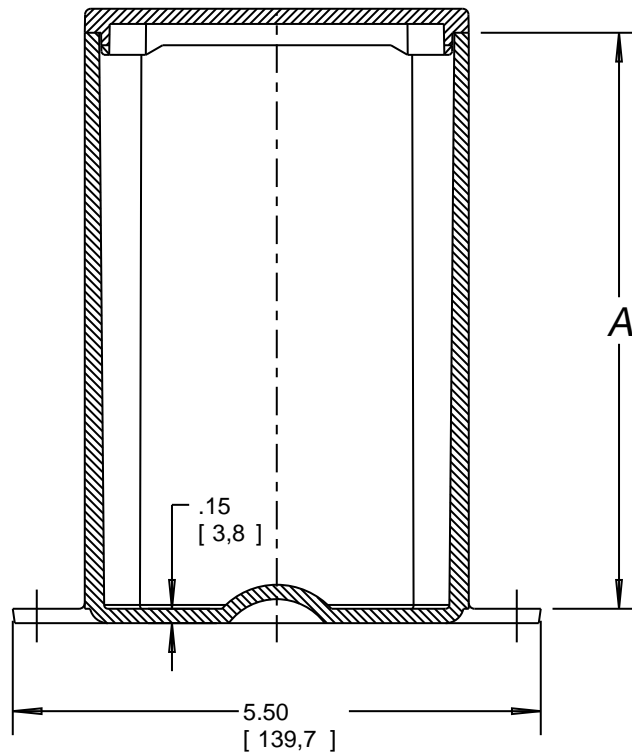
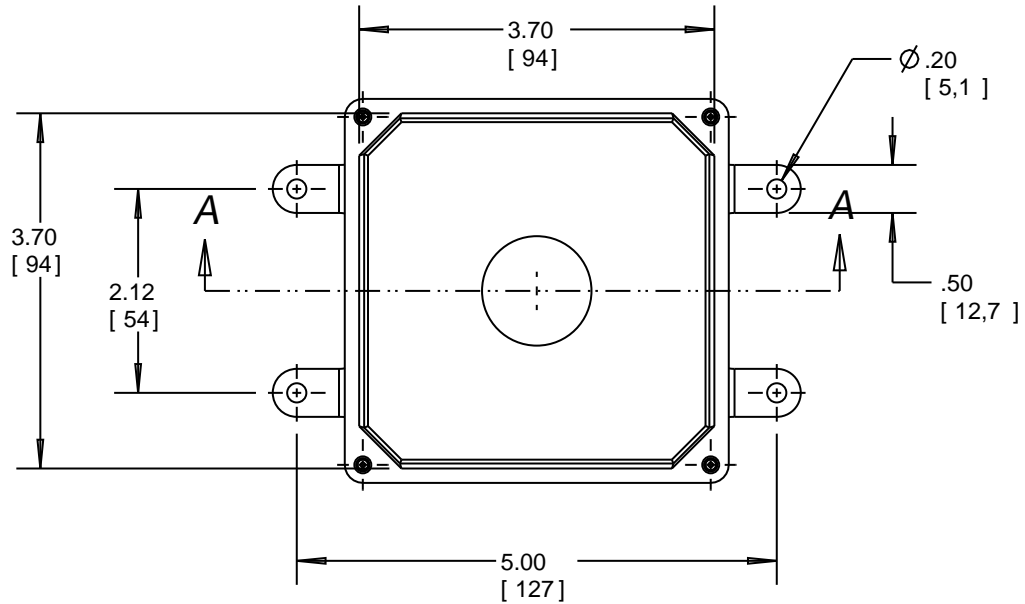


SECTION A-A

- NOTES:
 1. MATERIAL: PVC
 2. NEMA TYPES: 4/4X, 6P
 3. DIMENSIONS ARE INCH/MILLIMETERS

TITLE: MOLDED NON-METALLIC ENCLOSURES - 4X4X4		DRN. DATE RG 9-15-94	PART NO.: E987N
LAMSON & SESSIONS	ALL DRAWINGS ARE THE PROPERTY OF LAMSON & SESSIONS AND SHALL NOT BE REPRODUCED IN ANY FORM WITHOUT LAMSON & SESSIONS' APPROVAL AND ARE TO BE PROMPTLY RETURNED UPON REQUEST	APP. DATE GDT 5-14-07	DRAWING NO.: AC01977
			SHT.1 OF 2
			REV. C

VIEW SHOWN LESS
COVER FOR CLARITY



SECTION A-A
SCALE 0.500

SIZE	A
E989NNJ (4X4X2)	2.00 (50.8)
E989NNR (4X4X6)	6.00 (152.4)

- NOTES:
1. MATERIAL: PVC
 2. NEMA TYPES: 4/4X, 6P
 3. DIMENSIONS ARE INCH/MILLIMETERS

TITLE: MOLDED NON-METALLIC ENCLOSURES		DRN. DATE RG 9-15-94	PART NO.: E989NNR/NNJ	
LAMSON & SESSIONS	ALL DRAWINGS ARE THE PROPERTY OF LAMSON & SESSIONS AND SHALL NOT BE REPRODUCED IN ANY FORM WITHOUT LAMSON & SESSIONS' APPROVAL AND ARE TO BE PROMPTLY RETURNED UPON REQUEST	APP. DATE GDT 5-14-07	DRAWING NO.: AC01977 SHT.2 OF 2	REV.