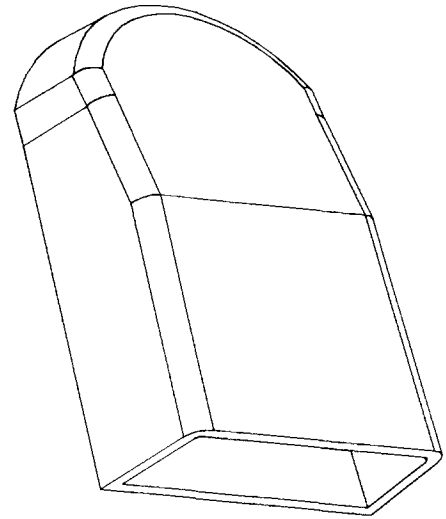
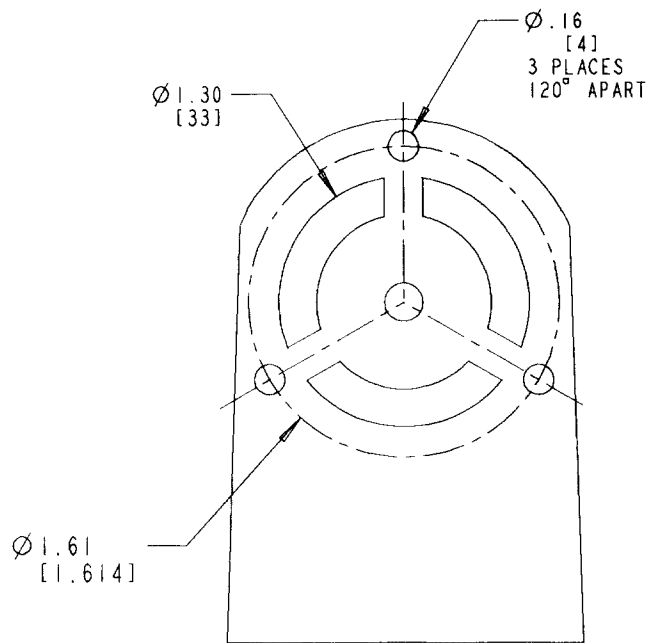


This information provided by:



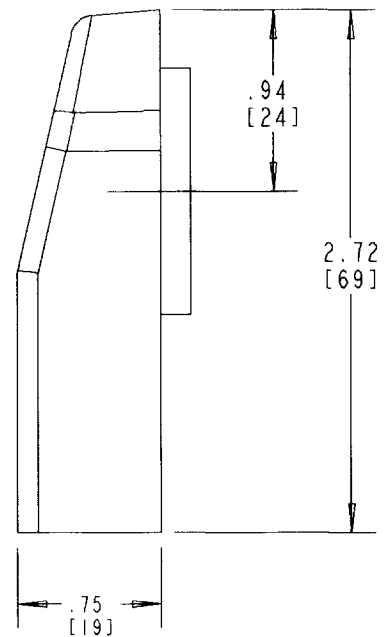
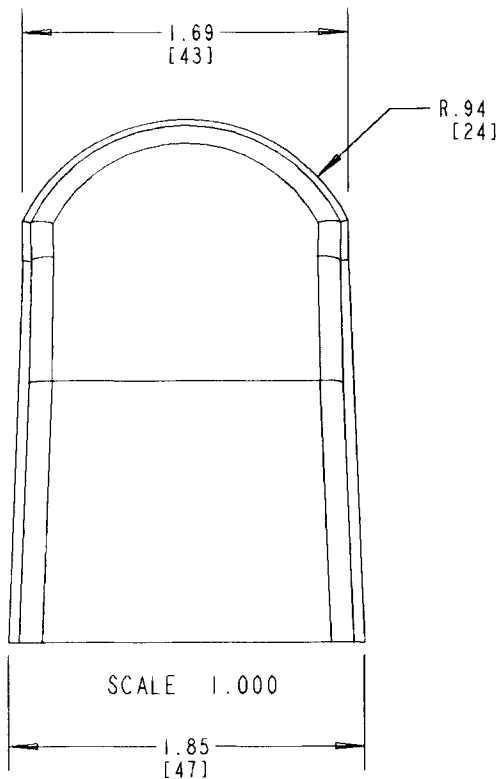
Gross Automation
www.grossautomation.com

Call Toll Free:
800-349-5827



SCALE 1.000

ADHESIVE BACKED
 GASKET SUPPLIED
 WITH VENTILATOR



NOTES:

1. APPLY GASKET AT LOCATION RQUIRED.
2. DRILL HOLES USING GASKET AS A TEMPLATE,
 3 HOLES $\varnothing .16$ [4] & 1 HOLE $\varnothing 1.30$ [33].
3. ATTACH VENTILATOR AND SCREW IN PLACE.
4. ALL DIMENSIONS ARE INCH/MILLIMETERS.

TITLE VENTILATOR - HIMEL		DRN RG/DPR	DATE 6-18-01	PART NO: HVM27
LAMSON & SESSIONS	ALL DRAWINGS ARE THE PROPERTY OF LAMSON & SESSIONS AND SHALL NOT BE REPRODUCED IN ANY FORM WITHOUT LAMSON & SESSIONS' APPROVAL AND ARE TO BE PROMPTLY RETURNED UPON REQUEST.	APP.	DATE	DRAWING NO: AC03972
				REV. A