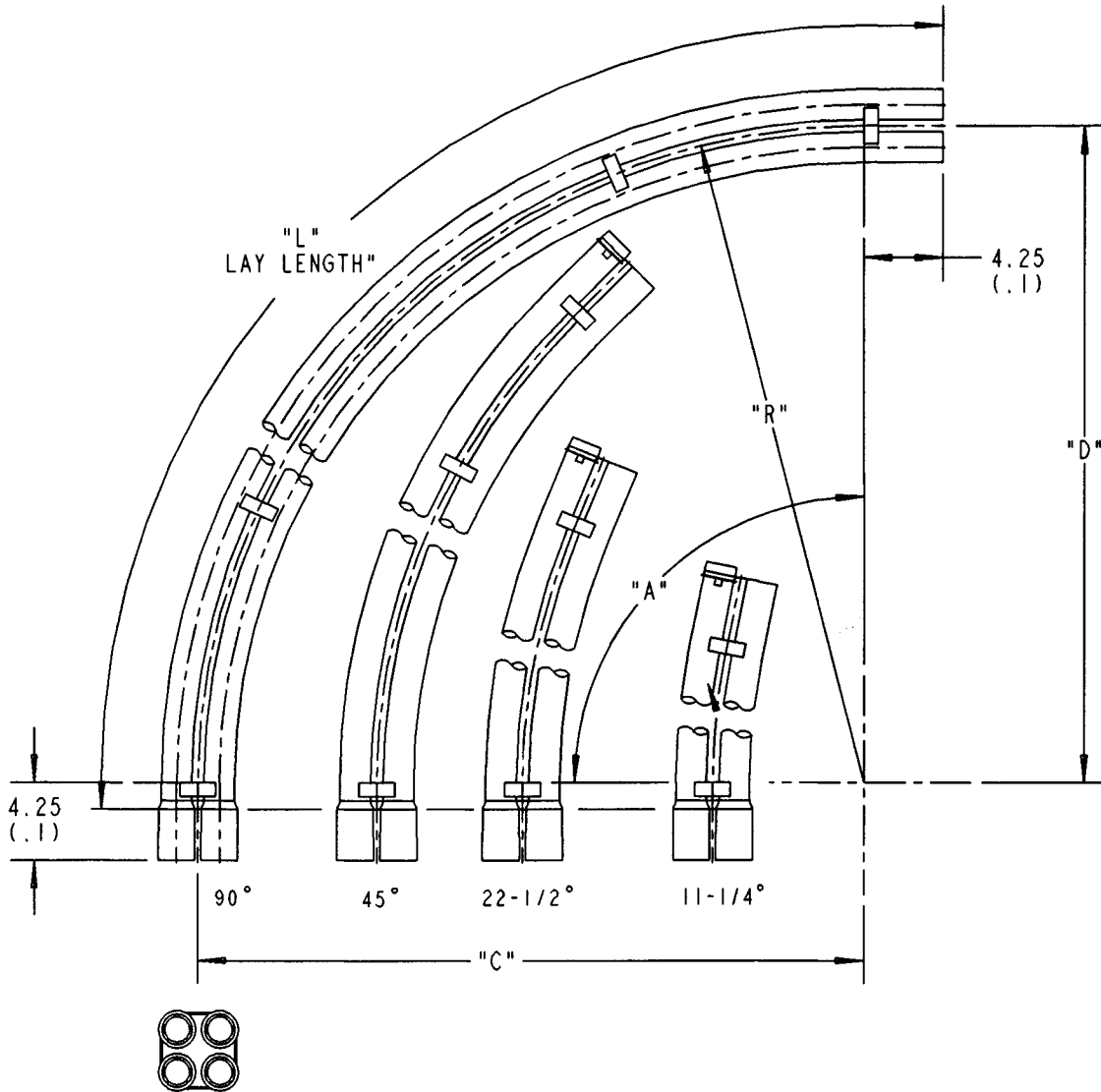


This information provided by:



Gross Automation  
[www.grossautomation.com](http://www.grossautomation.com)

Call Toll Free:  
**800-349-5827**



PART NO.	DIMENSIONS - INCHES (METERS)				
	A	R	C	D	L
1X3FG4	11.25°	36" (0.91)	3.48 (0.09)	12.65 (0.32)	1'1" (0.32)
1X5FG4	22.5°		6.21 (0.16)	19.16 (0.49)	1'8" (0.50)
1X7FG4	45°		14.96 (0.38)	29.92 (0.86)	2'10" (0.86)
1X9FG4	90°		40.24 (1.02)	37.46 (0.95)	5'2" (1.58)

TITLE <b>INTRAGARD FIXED SWEEP 36"R - 4 WAY</b>		DRN <b>DJK</b>	DATE <b>3-8-98</b>	PART NO. <b>SEE CHART</b>
<b>LAMSON &amp; SESSIONS</b>	ALL DRAWINGS ARE THE PROPERTY OF LAMSON & SESSIONS AND SHALL NOT BE REPRODUCED IN ANY FORM WITHOUT LAMSON & SESSIONS' APPROVAL AND ARE TO BE PROMPTLY RETURNED UPON REQUEST.	APP. <b>KEF</b>	DATE <b>3-6-98</b>	DRAWING NO. <b>AC03367</b>