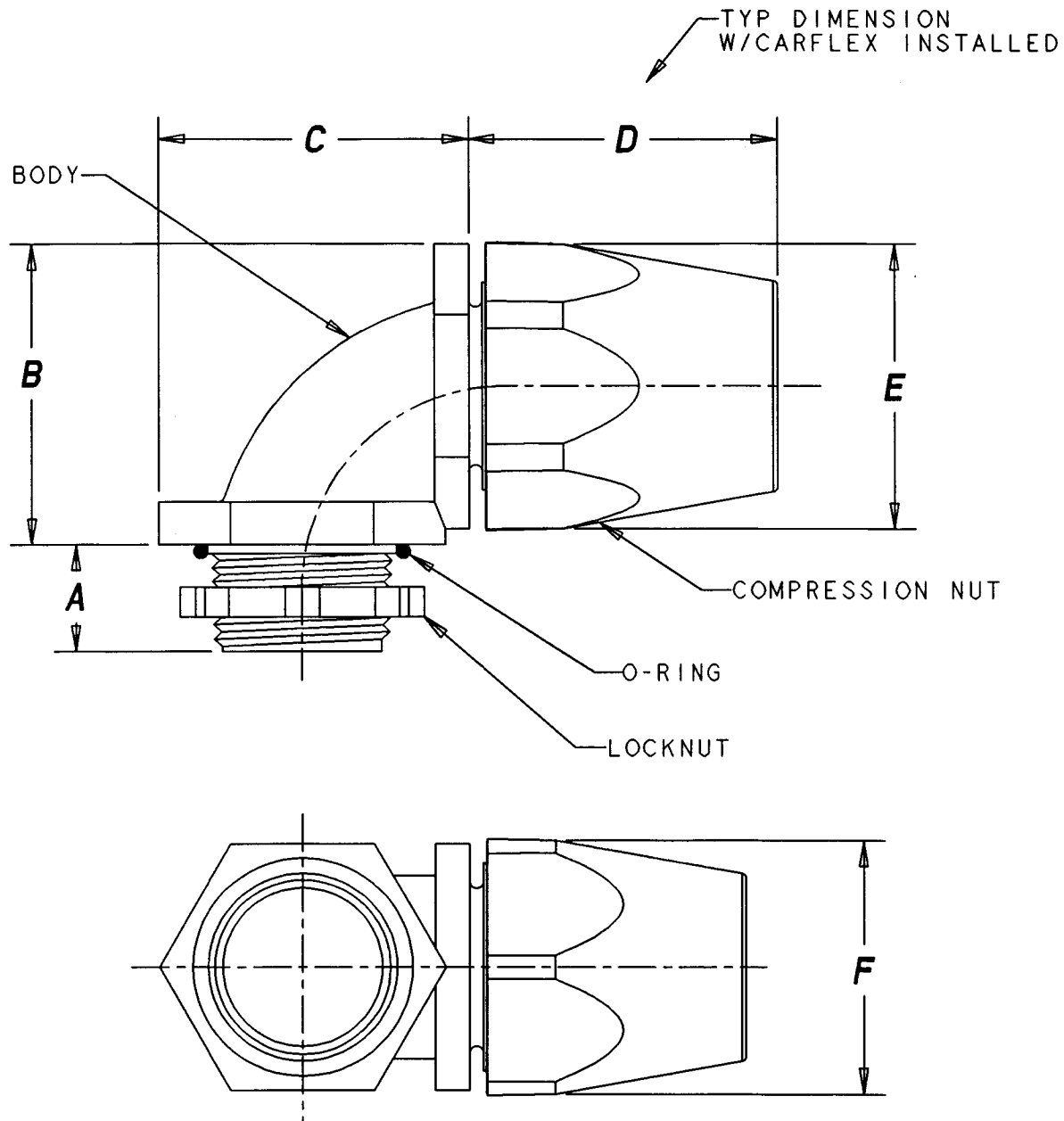


This information provided by:



Gross Automation  
[www.grossautomation.com](http://www.grossautomation.com)

Call Toll Free:  
**800-349-5827**



PART NO	SIZE	A	B	C	D	E	F	REQUIRED HOLE SIZE
LT20C	3/8" [14]	.56 [14,2]	1.44 [36,5]	1.44 [36,5]	1.56 [39,6]	1.39 [25,3]	1.26 [32,0]	.91 [23,0]
LT20F	1" [27]	.70 [17,8]	2.01 [51,1]	2.01 [51,1]	2.26 [57,4]	2.04 [51,8]	1.90 [48,3]	1.48 [37,6]

NOTE:  
ALL DIMENSIONS ARE IN INCHES AND MILLIMETERS

TITLE		90° CARFLEX ASSEMBLY		DRN	DATE	PART NO:	
LAMSON & SESSIONS		ALL DRAWINGS ARE THE PROPERTY OF LAMSON & SESSIONS AND SHALL NOT BE REPRODUCED IN ANY FORM WITHOUT LAMSON & SESSIONS' APPROVAL AND ARE TO BE PROMPTLY RETURNED UPON REQUEST.		PW	3-13-09	SEE CHART	
				APP.	DATE	DRAWING NO:	
				GT	3-13-09	AC03583	
							REV.
							A