

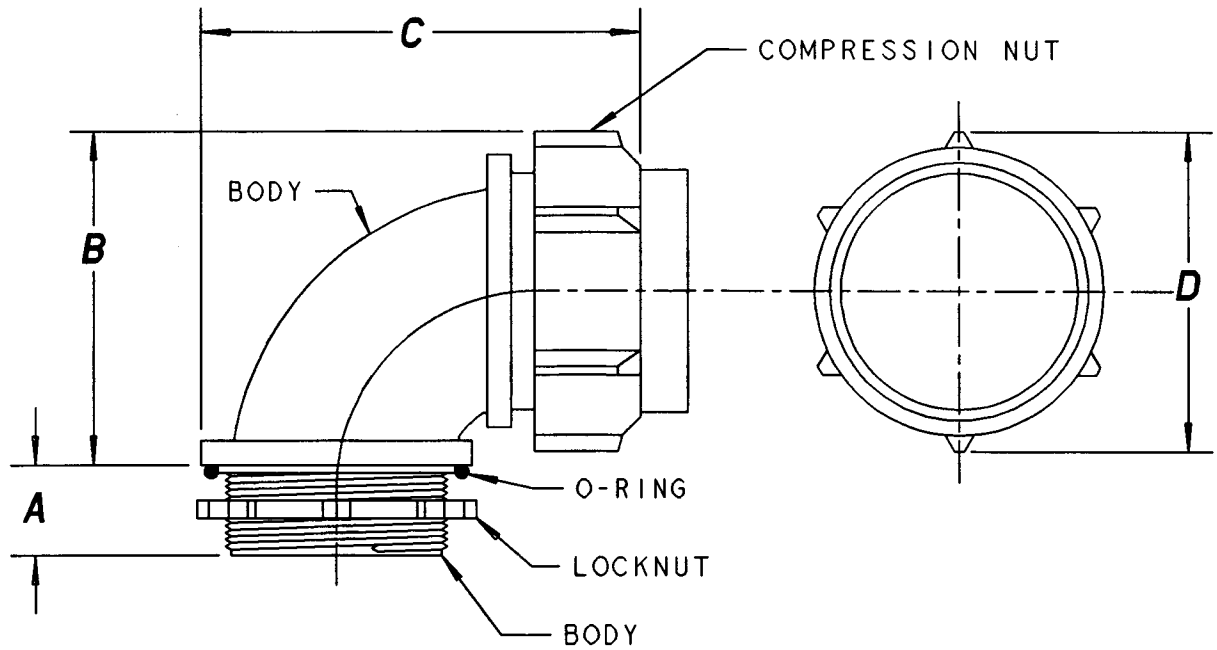
This information provided by:



Gross Automation
www.grossautomation.com

Call Toll Free:
800-349-5827

TYP. DIMENSION
W/CARFLEX INSTALLED



PART NO	SIZE	A	B	C	D	REQUIRED HOLE SIZE
LT20G	1 1/4" [35]	.75 [19,1]	2.50 [63,5]	3.55 [90,0]	2.48 [63,0]	1.82 [46,2]
LT20H	1 1/2" [41]	.75 [19,1]	2.80 [71,0]	3.98 [101,1]	2.77 [70,4]	2.06 [52,3]
LT20J	2" [53]	.94 [23,9]	3.48 [88,3]	4.56 [115,7]	3.33 [84,6]	2.51 [63,7]

TITLE		90° CARFLEX ASSEMBLY		DRN	DATE	PART NO:	
LAMSON & SESSIONS		ALL DRAWINGS ARE THE PROPERTY OF LAMSON & SESSIONS AND SHALL NOT BE REPRODUCED IN ANY FORM WITHOUT LAMSON & SESSIONS' APPROVAL AND ARE TO BE PROMPTLY RETURNED UPON REQUEST.		DPR	11-05	SEE CHART	
				APP.	DATE	DRAWING NO:	REV.
				AG	2/16/95	AC02108	A