

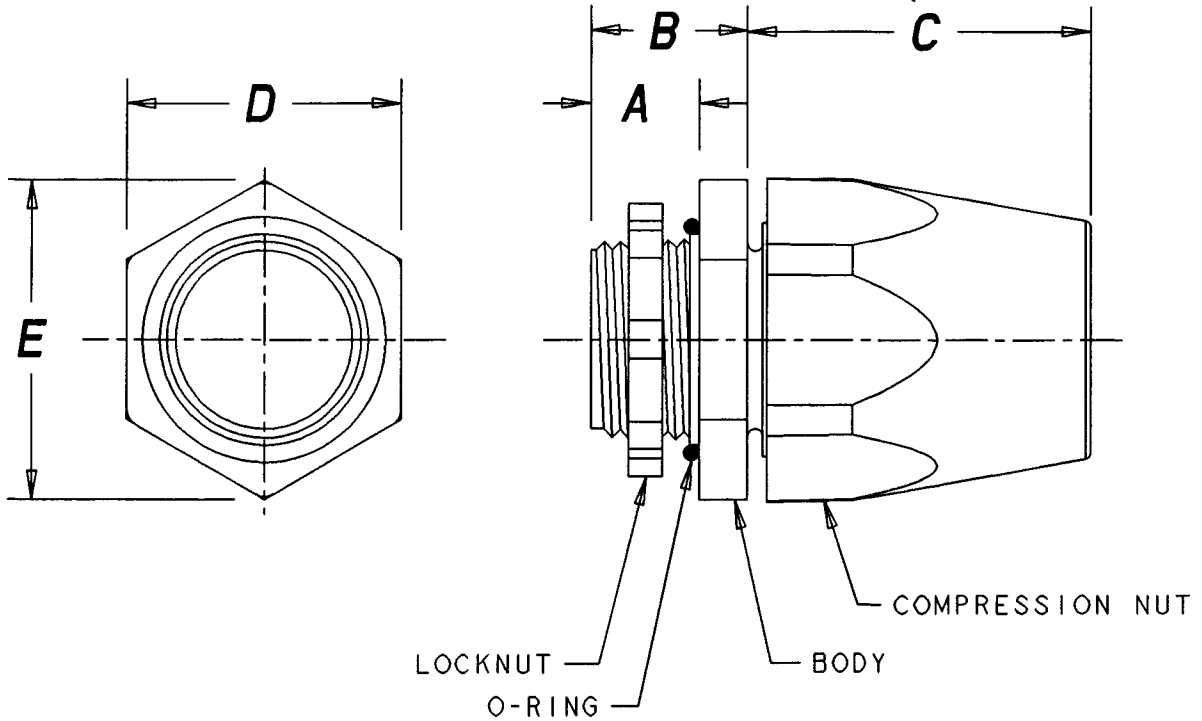
This information provided by:



Gross Automation  
[www.grossautomation.com](http://www.grossautomation.com)

Call Toll Free:  
**800-349-5827**

TYP. DIMENSION  
W/CARFLEX INSTALLED



NOTE:  
ALL DIMENSIONS ARE SHOWN IN INCHES AND MILLIMETERS

SIZE US [METRIC]	ASSEMBLY P/N	A	B	C	D	E	REQUIRED HOLE SIZE
3/8" [14]	LT43C	.55 [14,0]	.75 [19,0]	1.60 [40,6]	1.30 [33,0]	1.40 [35,6]	.91 [23,0]
1/2" [16]	LT43D	.56 [14,3]	.91 [23,2]	1.62 [41,1]	1.30 [33,0]	1.40 [35,6]	.91 [23,0]
3/4" [21]	LT43E	.56 [14,3]	.91 [23,2]	1.88 [47,7]	1.61 [40,9]	1.71 [43,4]	1.16 [29,5]
1" [27]	LT43F	.70 [17,8]	1.0 [25,4]	2.20 [55,9]	1.90 [48,3]	2.04 [51,8]	1.48 [37,6]

TITLE CARFLEX ASSEMBLY - STRAIGHT		DRN RG	DATE 6/2/03	PART NO: <b>SEE CHART</b>
LAMSON & SESSIONS	ALL DRAWINGS ARE THE PROPERTY OF LAMSON & SESSIONS AND SHALL NOT BE REPRODUCED IN ANY FORM WITHOUT LAMSON & SESSIONS' APPROVAL AND ARE TO BE PROMPTLY RETURNED UPON REQUEST.	APP.	DATE 6/2/03	DRAWING NO: <b>AC04398</b>
				REV.