

This information provided by:

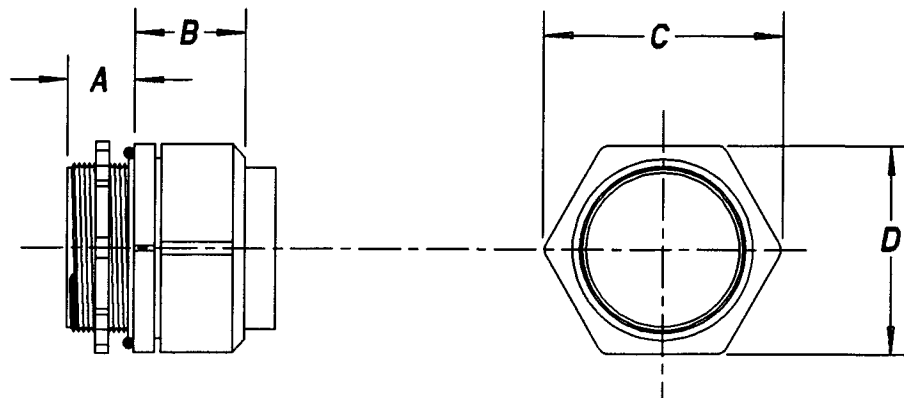
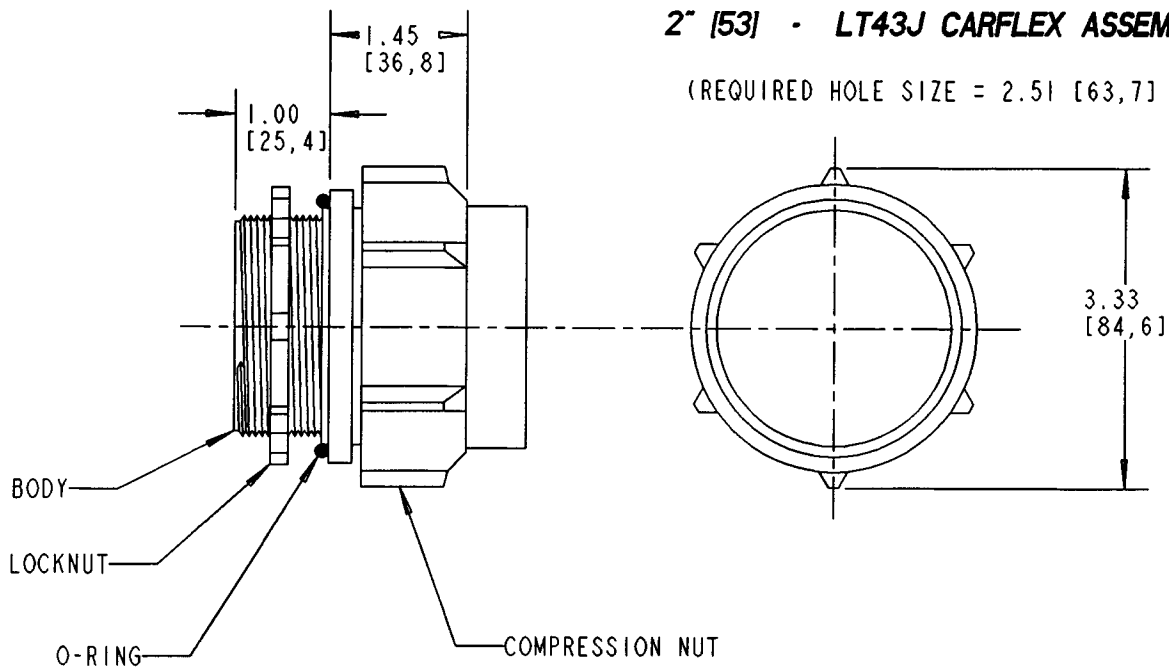


Gross Automation  
[www.grossautomation.com](http://www.grossautomation.com)

Call Toll Free:  
**800-349-5827**

2" [53] - LT43J CARFLEX ASSEMBLY

(REQUIRED HOLE SIZE = 2.51 [63,7])



SIZE US [METRIC]	ASSEMBLY P/N	A	B	C	D	REQUIRED HOLE SIZE
1 1/4" [35]	LT43G	.71 [18,0]	1.16 [29,6]	2.50 [63,5]	2.17 [55,1]	1.82 [46,2]
1 1/2" [41]	LT43H	.75 [19,1]	1.36 [34,5]	2.78 [70,6]	2.43 [61,7]	2.06 [52,3]

DIMENSIONS ARE SHOWN IN INCHES [millimetres].

TITLE CARFLEX ASSEMBLY - STRAIGHT		DRN DPR	DATE 10-06	PART NO: <b>SEE CHART</b>	
LAMSON & SESSIONS	ALL DRAWINGS ARE THE PROPERTY OF LAMSON & SESSIONS AND SHALL NOT BE REPRODUCED IN ANY FORM WITHOUT LAMSON & SESSIONS' APPROVAL AND ARE TO BE PROMPTLY RETURNED UPON REQUEST.	APP. AG	DATE 2/16/95	DRAWING NO: <b>AC02107</b>	REV. <b>A</b>