

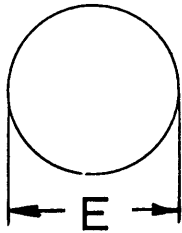
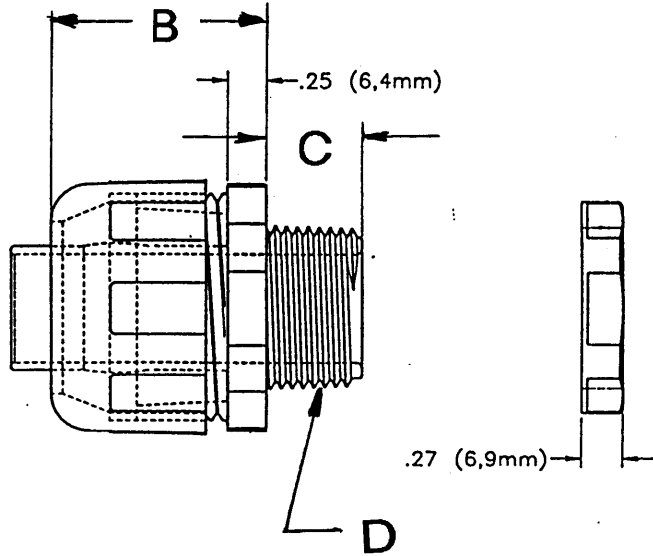
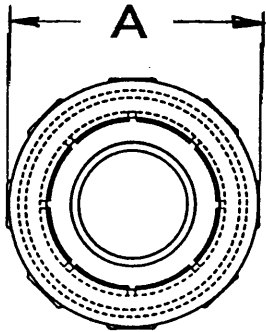
This information provided by:



Gross Automation
www.grossautomation.com

Call Toll Free:
800-349-5827

CARLON



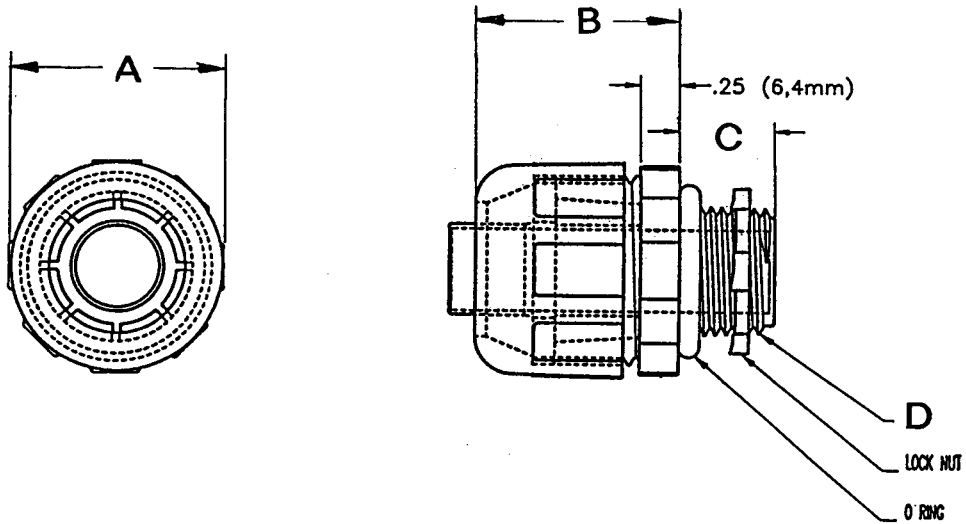
MOUNTING HOLE

PART NO.	SIZE	DIA. A	DIM. B	DIM. C	THREAD D	DIA. E
LT38	3/8"	1.40 [35.6]	1.33 [33.8]	.62 [15.9]	1/2" NPT	.875 [22.2]
LT50	1/2"	1.40 [35.6]	1.33 [33.8]	.62 [15.9]	1/2" NPT	.875 [22.2]
LT75	3/4"	1.65 [42.0]	1.41 [35.8]	.62 [15.9]	3/4" NPT	1.109 [28.2]
LT100	1"	1.93 [49.0]	1.47 [37.3]	.78 [19.8]	1" NPT	1.375 [35.0]

DIMENSINS ARE IN INCH/MILLIMETERS

TITLE: HEYCO - CONNECTOR - FLEX - BLACK		DRN: DPR	DATE: 1-13-00	PART NO.: SEE CHART
LAMSON & SESSIONS	ALL DRAWINGS ARE THE PROPERTY OF LAMSON & SESSIONS AND SHALL NOT BE REPRODUCED IN ANY FORM WITHOUT LAMSON & SESSIONS' APPROVAL AND ARE TO BE PROMPTLY RETURNED UPON REQUEST.	APP: [Signature]	DATE: 3/3/00	DRAWING NO.: AC03717
		SHT. 1 OF 8		

CARLON



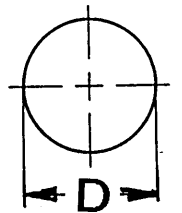
MOUNTING HOLE

PART NO.	SIZE	DIA. A	DIM. B	DIM. C	THREAD D	DIA. E
LT38G	3/8"	1.40 [35.6]	1.33 [33.8]	.62 [15.9]	1/2" NPT	.875 [22.2]
LT50G	1/2"	1.40 [35.6]	1.33 [33.8]	.62 [15.9]	1/2" NPT	.875 [22.2]
LT75G	3/4"	1.65 [42.0]	1.41 [35.8]	.62 [15.9]	3/4" NPT	1.109 [28.2]
LT100G	1"	1.93 [49.0]	1.47 [37.3]	.78 [19.8]	1" NPT	1.375 [35.0]

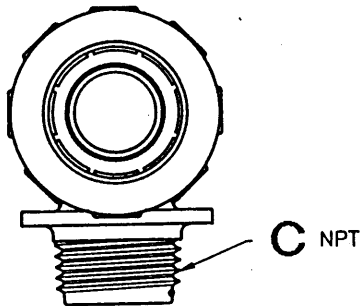
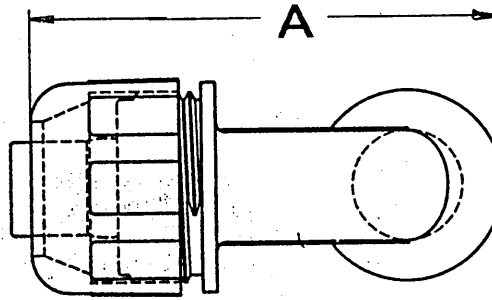
DIMENSINS ARE IN INCH/MILLIMETERS

TITLE HEYCO - CONNECTOR - FLEX - GRAY		DRN DPR	DATE 1-13-00	PART NO: SEE CHART
LAMSON & SESSIONS	ALL DRAWINGS ARE THE PROPERTY OF LAMSON & SESSIONS AND SHALL NOT BE REPRODUCED IN ANY FORM WITHOUT LAMSON & SESSIONS' APPROVAL AND ARE TO BE PROMPTLY RETURNED UPON REQUEST.		DATE 3/3/00	DRAWING NO: AC03717
				SHT. 2 OF 8

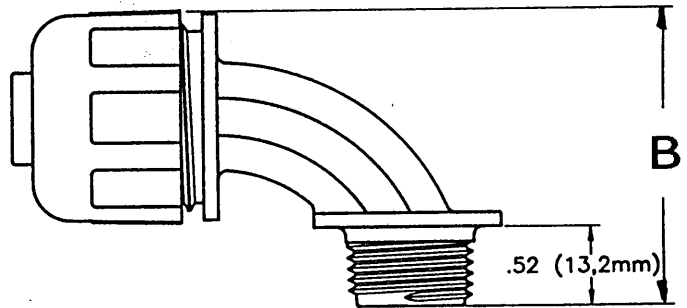
CARLON



MOUNTING HOLE



C NPT



.27 (6,8mm)

PART NO.	SIZE	DIM. A	DIM. B	THREAD C	DIA. D
LT938	3/8"	2.91 [73.9]	1.98 [50.3]	1/2" NPT	.875 [22.2]
LT950	1/2"	2.91 [73.9]	1.98 [50.3]	1/2" NPT	.875 [22.2]
LT975	3/4"	3.17 [80.5]	2.29 [58.2]	3/4" NPT	1.109 [28.2]

DIMENSINS ARE IN INCH/MILLIMETERS

TITLE HEYCO - CONNECTOR - SWEEP - FLEX - BLACK

DRN DPR DATE 1-13-00

PART NO: SEE CHART

LAMSON & SESSIONS

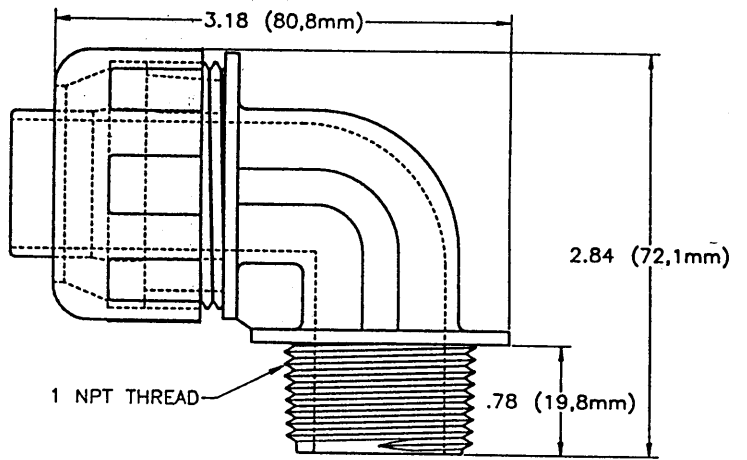
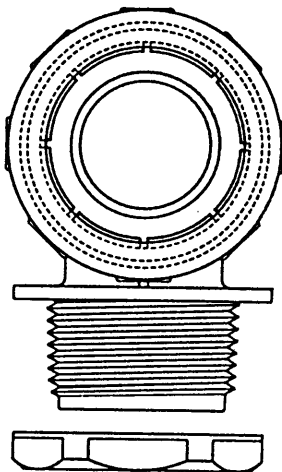
ALL DRAWINGS ARE THE PROPERTY OF LAMSON & SESSIONS AND SHALL NOT BE REPRODUCED IN ANY FORM WITHOUT LAMSON & SESSIONS' APPROVAL AND ARE TO BE PROMPTLY RETURNED UPON REQUEST.

APP: [Signature] DATE 3/3/07

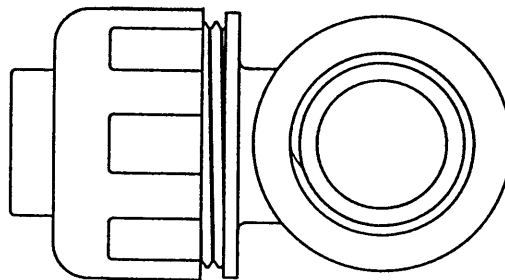
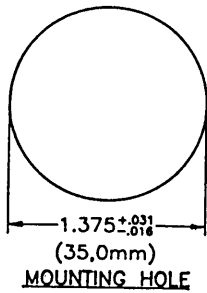
DRAWING NO: AC03717
SHT. 3 OF 8

REV.

CARLON



HJT 1.60 (60,7mm) ACROSS WRENCHING FLATS
1.74 (44,2mm) ACROSS POINTS



DIMENSINS ARE IN INCH/MILLIMETERS

TITLE HEYCO - CONNECTOR - SWEEP - FLEX - BLACK

DRN DATE
DPR 1-13-00

PART NO: LT9100

LAMSON & SESSIONS

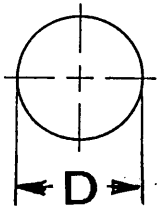
ALL DRAWINGS ARE THE PROPERTY OF LAMSON & SESSIONS AND SHALL NOT BE REPRODUCED IN ANY FORM WITHOUT LAMSON & SESSIONS' APPROVAL AND ARE TO BE PROMPTLY RETURNED UPON REQUEST.

APP. DATE
3/3/00

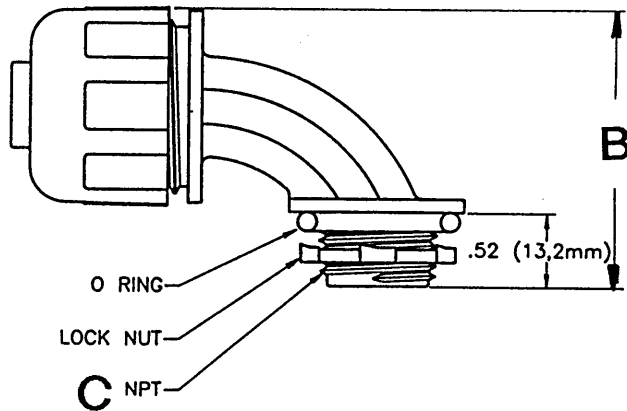
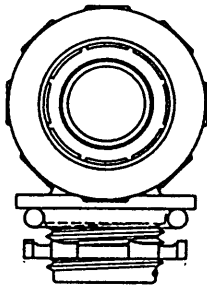
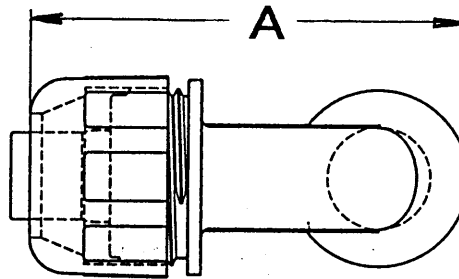
DRAWING NO: AC03717
SHT. 4 OF 8

REV.

CARLON



MOUNTING HOLE

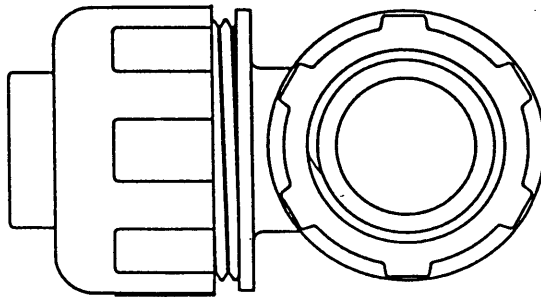
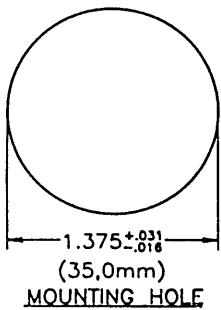
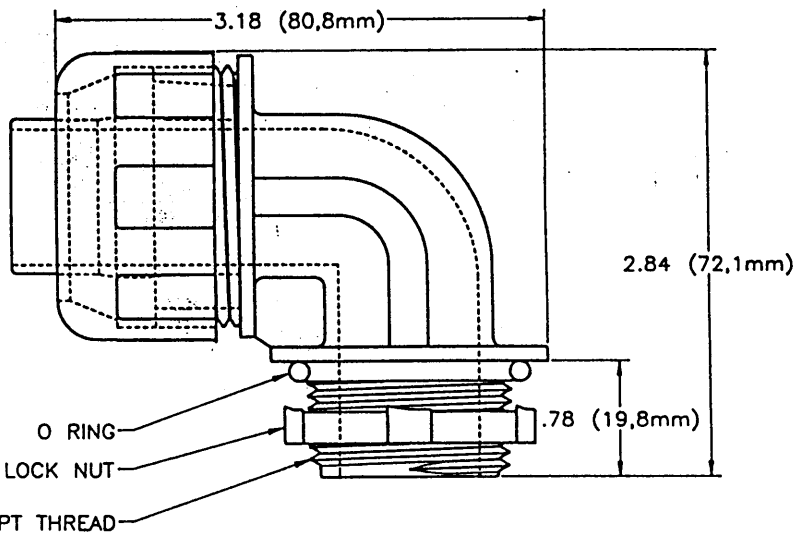
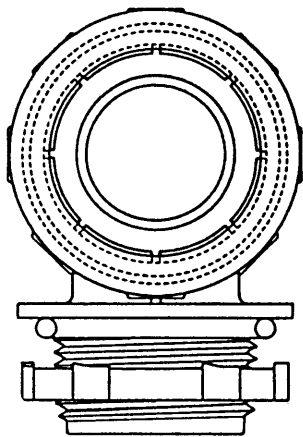


PART NO.	SIZE	DIM. A	DIM. B	THREAD C	DIA. D
LT938G	3/8"	2.91 [73.9]	1.98 [50.3]	1/2" NPT	.875 [22.2]
LT950G	1/2"	2.91 [73.9]	1.98 [50.3]	1/2" NPT	.875 [22.2]
LT975G	3/4"	3.17 [80.5]	2.29 [58.2]	3/4" NPT	1.109 [28.2]

DIMENSINS ARE IN INCH/MILLIMETERS

TITLE: HEYCO - CONNECTOR - SWEEP - FLEX - GRAY		DRN: DPR	DATE: 1-13-00	PART NO.: SEE CHART
LAMSON & SESSIONS	ALL DRAWINGS ARE THE PROPERTY OF LAMSON & SESSIONS AND SHALL NOT BE REPRODUCED IN ANY FORM WITHOUT LAMSON & SESSIONS' APPROVAL AND ARE TO BE PROMPTLY RETURNED UPON REQUEST.	APP: [Signature]	DATE: 3/3/00	DRAWING NO.: AC03717
		SHT. 5 OF 8		

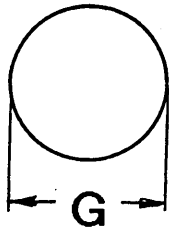
CARLON



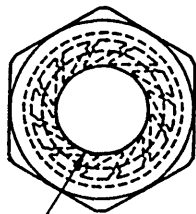
DIMENSINS ARE IN INCH/MILLIMETERS

TITLE HEYCO · CONNECTOR · SWEEP · FLEX · GRAY		DRN DPR	DATE 1-13-00	PART NO: LT9100G	
LAMSON & SESSIONS	ALL DRAWINGS ARE THE PROPERTY OF LAMSON & SESSIONS AND SHALL NOT BE REPRODUCED IN ANY FORM WITHOUT LAMSON & SESSIONS' APPROVAL AND ARE TO BE PROMPTLY RETURNED UPON REQUEST.	APP	DATE 3/3/00	DRAWING NO: AC03717	REV.
				SHT. 6 OF 8	

CARLON

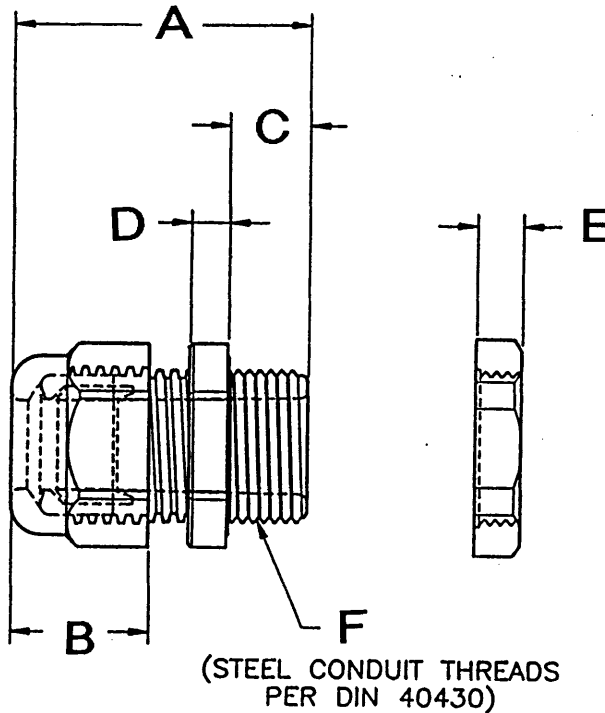


SUGGESTED CLEARANCE HOLE FOR NON-THREADED MOUNTING



PART ACCOMMODATES CABLE DIAMETERS

H



PART NO.	DIM. A	DIM. B	DIM. C	DIM. D	DIM. E	THREAD F	DIA. G	DIA. H
LH07	1.17 [29.7]	.50 [12.7]	.33 [8.4]	.20 [5.1]	.22 [5.6]	Pg 7	.492 [12.5]	.114 - .250 [2.9] - [6.4]
LH09	1.30 [33]	.60 [15.2]	.34 [8.6]	.20 [5.1]	.22 [5.6]	Pg 9	.599 [15.2]	.181 - .312 [4.6] - [7.9]
LH11	1.46 [37.1]	.70 [17.8]	.39 [9.9]	.20 [5.1]	.22 [5.6]	Pg 11	.733 [18.6]	.230 - .395 [5.8] - [10.0]
LH13	1.53 [38.4]	.71 [18]	.41 [10.4]	.20 [5.1]	.23 [5.8]	Pg 13.5	.804 [20.4]	.170 - .470 [4.3] - [11.9]
LH16	1.66 [42.2]	.76 [19.3]	.45 [11.4]	.23 [5.8]	.24 [6.1]	Pg 16	.886 [22.5]	.230 - .546 [5.8] - [13.9]
LH21	1.87 [47.5]	.85 [21.6]	.52 [13.2]	.23 [5.8]	.28 [7.1]	Pg 21	1.115 [28.3]	.450 - .709 [11.4] - [18]

DIMENSINS ARE IN INCH/MILLIMETERS

TITLE HEYCO - LIQUID TIGHT FITTING - STRAIGHT-THRU - BLACK

DRN DPR DATE 1-13-00

PART NO: SEE CHART

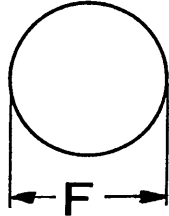
LAMSON & SESSIONS

ALL DRAWINGS ARE THE PROPERTY OF LAMSON & SESSIONS AND SHALL NOT BE REPRODUCED IN ANY FORM WITHOUT LAMSON & SESSIONS' APPROVAL AND ARE TO BE PROMPTLY RETURNED UPON REQUEST.

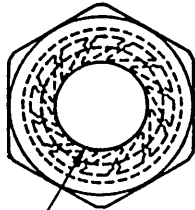
APP: [Signature] DATE 3/3/00

DRAWING NO: AC03717 SHT. 7 OF 8 REV.

CARLON

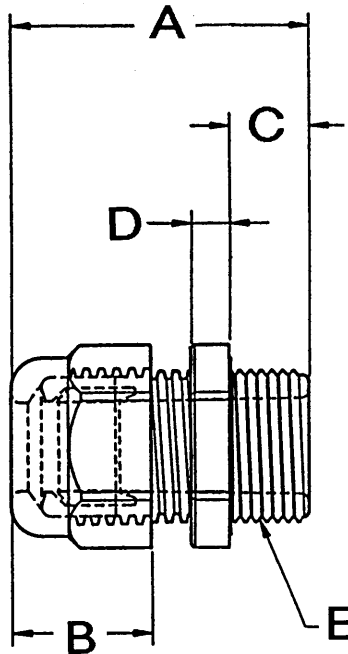


SUGGESTED CLEARANCE HOLE
FOR NON-THREADED MOUNTING



PART ACCOMMODATES
CABLE DIAMETERS

G



PART NO. (BLACK)	PART NO. (GRAY)	DIM. A	DIM. B	DIM. C	DIM. D	THREAD E	DIA. F	DIA. G
LH38	LH38G	1.49 [37.8]	.60 [15.2]	.53 [13.5]	.20 [5.1]	3/8-18 NPT	.670 [17]	.181 - .312 [4.6] - [7.9]
LH50	LH50G	1.72 [43.7]	.71 [18]	.62 [15.7]	.20 [5.1]	1/2-14 NPT	.875 [22.2]	.170 - .470 [4.3] - [11.9]
LH75	LH75G	1.97 [50]	.85 [21.6]	.63 [16]	.23 [5.8]	3/4-14 NPT	1.068 [27.1]	.450 - .709 [11.4] - [18]
LH100	LH100G	2.42 [61.5]	1.07 [27.2]	.78 [19.8]	.28 [7.1]	1"-11-1/2 NPT	1.375 [35]	1.00 - .590 [25.4] - [15]

DIMENSINS ARE IN INCH/MILLIMETERS

TITLE HEYCO - LIQUID TIGHT FITTING - STRAIGHT-THRU - BLACK/GRAY

DRN
DPR

DATE
1-13-00

PART NO.:

SEE CHART

LAMSON & SESSIONS

ALL DRAWINGS ARE THE PROPERTY OF LAMSON & SESSIONS AND SHALL NOT BE REPRODUCED IN ANY FORM WITHOUT LAMSON & SESSIONS' APPROVAL AND ARE TO BE PROMPTLY RETURNED UPON REQUEST.

APP: [Signature]
DATE
3/3/00

DRAWING NO.:

AC03717
SHT. 8 OF 8

REV.